



LIGHTING FUJING

专业工业
照明厂家
Specialized industry Lighting
manufacturer

合作客户遍布全球



CONTACT US



Telephone
0519-88837018



E-mail
info@fujinglight.com



website
www.fujinglight.com



江苏省常州市武进区高新区
龙瑞路6号

富景照明科技有限公司，是一家集LED光学照明产品的研发、生产、销售及售后服务为一体的专业照明科技公司。



Patent Design customize
high luminous efficacy

私模 | 定制 | 高光效

PROFILE GOMPAANY

公司一隅
A corner of the company



上海富景照明科技有限公司,是一家集LED光学照明产品的研发、生产、销售及售后服务为一体的专业照明科技公司,主营产品 LED工矿灯、LED高棚灯、led高杆灯、LED球场灯、LED道路、led隧道灯、LED防爆灯,公司聚集了一批在LED照明和电子行业界有数十年从业经验的专业人士,在LED照明、灯具的研发,照明方案的设计及应用上取得了突破性的进展。

Shanghai Fujing Lighting Technology Ltd was founded in 2010, Its products series cover LED street lights, LED high bay lights and LED flood lights, LED Tunnel Light, LED Stadium light etc. Fujing Lighting has become comprehensively integrated energy conservation solution provider involved with design, R&D, manufacture, sale, installation and construction. Company has gathered a group of professionals with more than ten years of experience in the LED lighting and electronics industries, and has made breakthroughs in the development and application of LED lighting and lamps.

DEVELOPMENT COURSE

QUALIFICATION

2010年

上海富景照明科技有限公司成立

2010年10月 由陈杰先生在上海创立了上海富景照明科技有限公司，招兵买马开启了公司LED灯具的销售历程

Mr chen founded Fujing Lighting in Shanghai.

2012年

富景照明香港有限公司成立

2012我们在香港投资了富景照明（香港）有限公司，富景照明正式开启外贸业务

Fujing Lighting(Hongkong) Co.,Ltd was established. In same years, we entered the Hong Kong highways department, as a long-term supplier of the Hong Kong highways department.

2014年

富景照明工厂成立

2014年富景照明工厂在上海投产，开始专注于产品研发、创新设计，生产。截止目前，成功获得外观专利32项，实用新型专利18项，发明专利2项，产品以外观精美时尚，散热性能优良、功能技术先进而畅销欧美市场，受到客户的一致好评和青睐。

Fujing Lighting was established in Shanghai.Product R&D Center began independent design and new product development, and successfully obtained 32 appearance patents, 18 utility model patents, and 2 invention patents.

2015年

成为振华重工长期战略合作伙伴

015年，靠着坚实的技术积累和良好的口碑，以优异表现通过了上海振华重工系统的测试和评审，成功进入上海振华重工供应系统，成为他们的长期战略合作伙伴，为其提供LED港口照明设备及方案的配套服务。

relying on solid technical accumulation and good reputation, Fujing passed review of Shanghai Zhenhua Port Machinery Company System with excellent performance, and successfully entered the its Supply System, becoming their long-term strategic partner, keep providing them with LED porting lighting equipment and supporting service

2017年

进入航天航空供应商名单

经过全体富景人两年的不懈努力，2017年，我们有幸接触到中国飞机强度研究所和中国商飞项目，通过一年的严格评审和产品完美升级，最终进入航天航空供应商名单，成为他们开发飞机实验室照明设备及方案的合作伙伴。

Fujing Lighting were fortunate to access to the China Aircraft Research Institute and the COMAC project. After a year of rigorous review and perfect product upgrades, we finally entered the aerospace supply list with the first place. become their partners with development of aircraft laboratory lighting equipment and solutions.

2018年

成立上海珏铭光电科技有限公司

为了迎合市场产能需求，富景于2018年成立上海珏铭光电科技有限公司全面扩大生产产能

Fujing established Shanghai Jueming Optoelectronics Technology Co., Ltd to fully expand production capacity, and set up Finished product production base in Changzhou, Jiangsu, a die-casting production base for lamps and lanterns in Ningbo, Zhejiang, to ensure product quality and minimize Production time for a better service

2019年

富景在海外投资富景(亚洲)有限公司

2019年富景在新加坡投资富景（亚洲）有限公司，全面拓展富景品牌在东南亚市场的占有率，并在英、法、德、意等58个国家成功申请“FUJING LIGHTING” & “富景”品牌知识产权保护，同年富景照明与欧司朗达成战略合作伙伴关系，共同打造“OSRAM”品牌

Fujing invested in FUJING ASIA LIGHTING PTE LTD In Singapore to fully expand the market share of the Fujing brand in the Southeast Asian market, and successfully applied for "FUJING LIGHTING" & "富景" brand in 58 countries including Europe and the United States

2020年

成立江苏世纪富景智能科技有限公司

为了迎合市场产能需求，富景于2020年为全面扩大生产产能，在江苏常州设立成品生产基地，确保产品品质并最大限度减少生产周期，从而更好的服务客户。

In order to fully increase the production capacity, Fujing lighting set up a finished product production base in Changzhou, Jiangsu in 2020. Ensure product quality and minimize production cycle, so as to better serve customers.



CONTENTS

产品目录



路灯 01-32
street light



工矿灯 33-46
high bay light



球场灯 47-54
sports light



泛光灯 55-64
flood light



线条灯 65-66
linear light



庭院灯 67-76
garden light

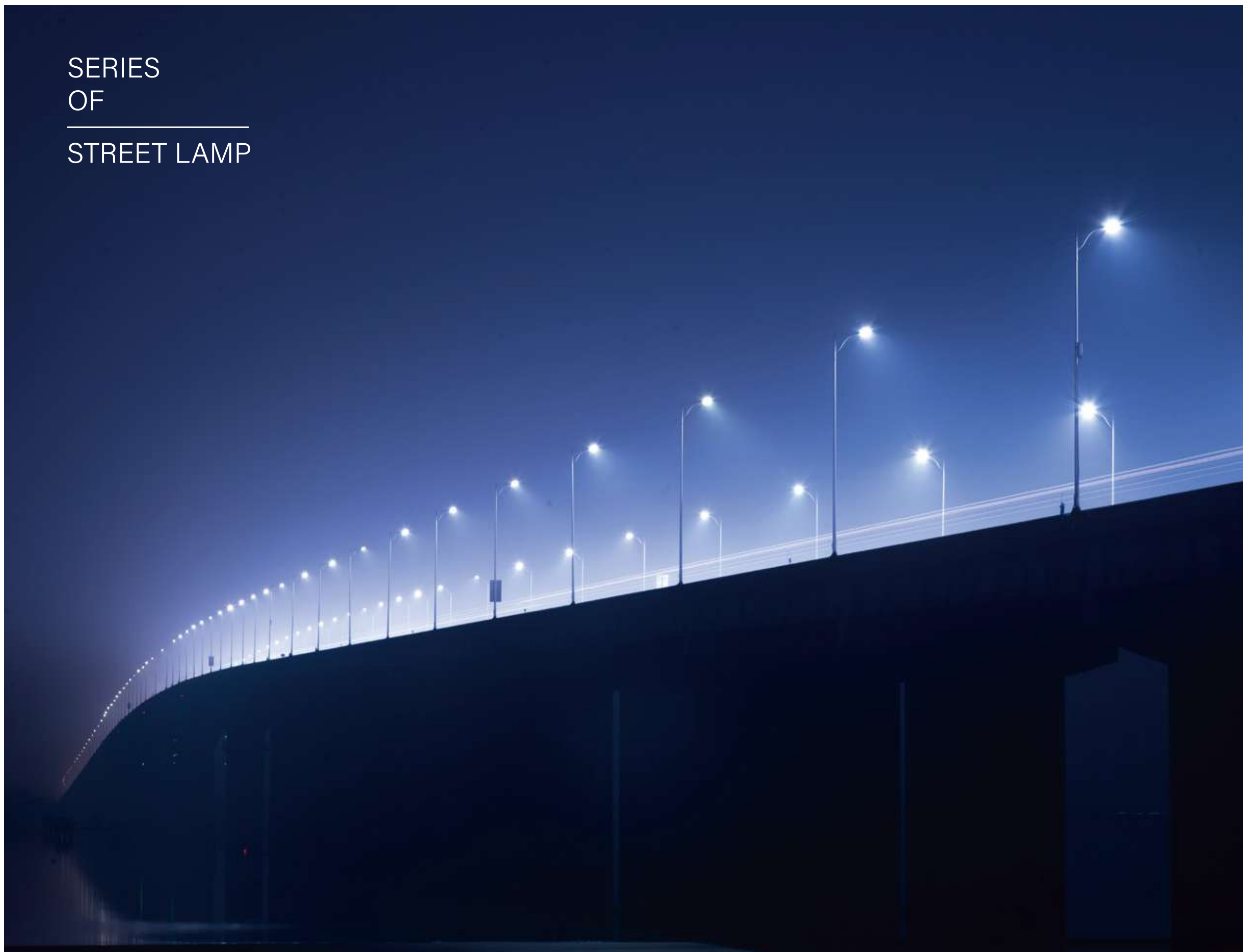


油站灯 77-80
canopy light



三防灯 81-82
tri-prooflight

SERIES
OF
STREET LAMP



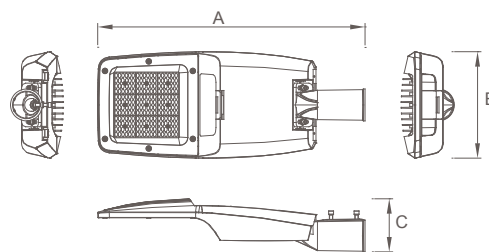
路灯
系列篇



street light 路灯 · Helios/云尚

- 电源仓和光源仓分离，工作时两者热量不会互相叠加从而影响散热
- 采用中空设计，充分的利用空气的对流学，加速外壳的散热速度，提高散热性能
- 散热器采用内外筋结合的设计原理，不仅美观大方，而且加大散热面积，加快散热速度
- 免工具开关设计，徒手可以打开产品，提高维修效率
- 可调节挑臂，50/60mm口径可选，水平安装&垂直安装均可，上下±15°可调节
- 特别的双孔出线设计可同时满足高压出线和0-10V信号出线的要求，解决众多0-10V调光工程项目需要单独信号线输出问题，出线直径：12mm & 9mm
- 可配防坠落安全绳
- 光源仓加呼吸器，平衡内外气压，防止雾气产生。

- hollow design which separates the LED modules and electrical compartment, so each parts heat dissipation are separate, do not interact.
- Hollow design can take full advantage of air convection, speed up the heat dissipation of the housing , and improve the heat dissipation performance
- The second design concept is combining internal and external fins, it will increase the heat dissipation area and speed up the heat dissipation, and the shape will be more elegant.
- Tool-free switch design, it will improve maintenance efficiency
- The adjustable holder, 50mm & 60mm for optional, can horizontal installation & vertical installation, tilt up & down 15degree.
- The third design concept is special double-hole outgoing line design can meet the requirements of high-voltage outgoing line and 0-10V signal outgoing line at the same time, and solve the problem that many 0-10V dimming projects need separate signal cable output. The diameter of outgoing line are: 12mm & 9mm
- Can be equipped with anti-fall safety rope
- The lighting modules area add the respirator to balance the internal and external air pressure and prevent the fog



产品尺寸 Fixture Information		
型号 Item No.	AxBxC(mm)	N.W(kg)
SS	498×180×115	3.2
S	629×250×125	5.0
M	698×280×128	6.4
L	798×280×138	8.4

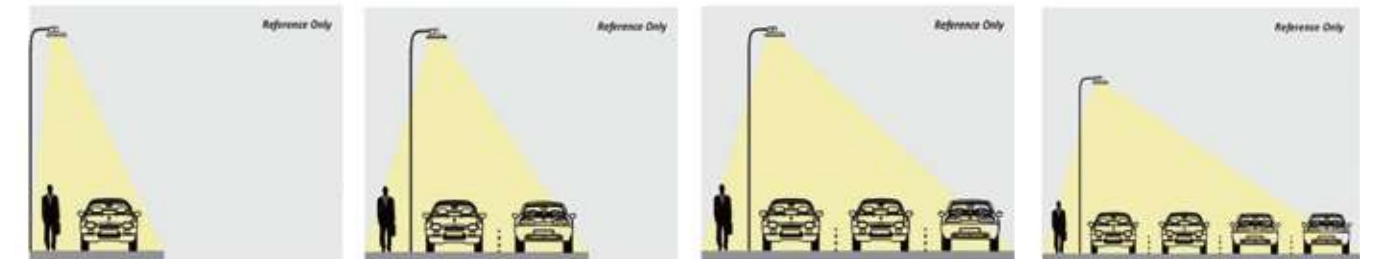
产品技术参数

Product technical parameters

产品型号 Item No.	FJ-SL-YS20W-SS	FJ-SL-YS30W-SS	FJ-SL-YS50W-SS	FJ-SL-YS60W-SS	FJ-SL-YS80W-S	FJ-SL-YS100W-S	FJ-SL-YS120W-S	FJ-SL-YS150W-M	FJ-SL-YS200W-L	FJ-SL-YS240W-L	FJ-SL-YS300W-L
功率 Power	20W	30W	50W	60W	80W	100W	120W	150W	200W	240W	300W
光效 Lumen Efficiency	130lm/w	130lm/w	130lm/w	130lm/w	130lm/w	130lm/w	130lm/w	130lm/w	130lm/w	130lm/w	130lm/w
色温 CCT	3000-6000K	3000-6000K	3000-6000K	3000-6000K	3000-6000K	3000-6000K	3000-6000K	3000-6000K	3000-6000K	3000-6000K	3000-6000K
显指 CRI	>80	>80	>80	>80	>80	>80	>80	>80	>80	>80	>80
输入电压 Input voltage	AC100-265V	AC100-265V	AC100-265V	AC100-265V	AC100-265V	AC100-265V	AC100-265V	AC100-265V	AC100-265V	AC100-265V	AC100-265V
防护等级 IP	IP66	IP66	IP66	IP66	IP66	IP66	IP66	IP66	IP66	IP66	IP66
发光角度 Beam angle	Type1/II/III/IV/V	Type1/II/III/IV/V	Type1/II/III/IV/V	Type1/II/III/IV/V	Type1/II/III/IV/V	Type1/II/III/IV/V	Type1/II/III/IV/V	Type1/II/III/IV/V	Type1/II/III/IV/V	Type1/II/III/IV/V	Type1/II/III/IV/V
功率因素 PF	>0.95	>0.95	>0.95	>0.95	>0.95	>0.95	>0.95	>0.95	>0.95	>0.95	>0.95
产品尺寸 Dimensions	498×180×115	498×180×115	498×180×115	498×180×115	629×250×125	629×250×125	629×250×125	698×280×115	798×280×138	798×280×138	798×280×138

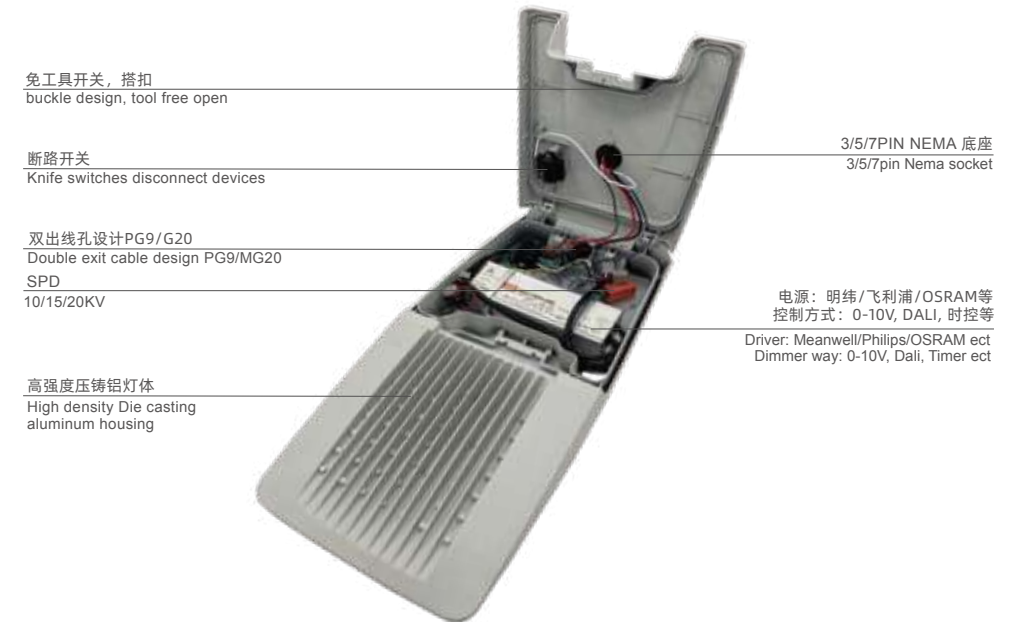
道路模拟展示

Road simulation display



产品细节

Product details



免工具开关，搭扣
buckle design, tool free open

断路器
Knife switches disconnect devices

双出线孔设计PG9/G20
Double exit cable design PG9/MG20
SPD
10/15/20KV

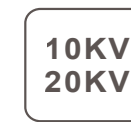
高强度压铸铝灯体
High density Die casting aluminum housing

3/5/7PIN NEMA 底座
3/5/7pin Nema socket

电源：明纬/飞利浦/OSRAM等
控制方式：0-10V, DALI, 时控等
Driver: Meanwell/Philips/OSRAM ect
Dimmer way: 0-10V, Dali, Timer ect



SPECIAL LED
专用 LED



SPD
防雷器



Photocell
光控



0-10V / PWM /
Timer Dali



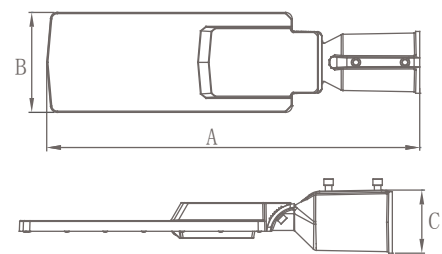
WIRELESS CONTROL
SYSTEM
无线控制系统



street light 路灯 · Sino/新诺

- 简约的外观设计
- 一体化ADC12压铸铝设计，散热效果佳
- IP66、IK08灯具防护等级，满足高温高湿等环境使用
- 无频闪稳定光输出、功率因素0.97维护电网稳定
- 可水平、垂直安装，可调角±15°，可满足不同角度照明需要
- 适用场所：城市道路灯、公园小区景观灯

- Simple appearance design
- Integrated ADC12 die-casting aluminum design, good heat dissipation effect
- IP66, IK08 luminaire protection level, to meet the high temperature and high humidity environment.
- Stable light output without flicker, power factor 0.97 to maintain grid stability.
- Can be installed horizontally and vertically, adjustable angle $\pm 15^\circ$, to meet the needs of different angles of lighting
- Applicable places: city road lights, parks and neighborhood landscape lights



产品尺寸 Fixture Information		
型号 Item No.	AxBxC(mm)	重量(kg)
S	456×122×77	1.2
M	536×166×77	1.7
L	618×180×77	2.5

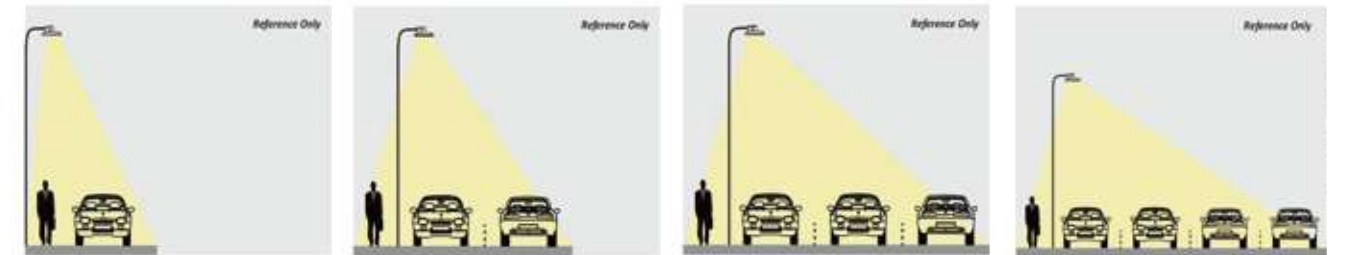
产品技术参数

Product technical parameters

产品型号 ITEM NO.	FJ-SL-XN30W-S	FJ-SL-XN50W-S	FJ-SL-XN80W-M	FJ-SL-XN100W-M	FJ-SL-XN120W-L	FJ-SL-XN150W-L
功率 POWER	30W	50W	80W	100W	120W	150W
光效 LUMEN EFFICIENCY	130lm/w	130lm/w	130lm/w	130lm/w	130lm/w	130lm/w
色温 CCT	3000-6000K	3000-6000K	3000-6000K	3000-6000K	3000-6000K	3000-6000K
显指 CRI	>80	>80	>80	>80	>80	>80
输入电压 INPUT VOLTAGE	AC100-265V	AC100-265V	AC100-265V	AC100-265V	AC100-265V	AC100-265V
防护等级 IP	IP66	IP66	IP66	IP66	IP66	IP66
发光角度 BEAM ANGLE	Type I / II / III / IV / V	Type I / II / III / IV / V	Type I / II / III / IV / V	Type I / II / III / IV / V	Type I / II / III / IV / V	Type I / II / III / IV / V
功率因素 PF	>0.9	>0.9	>0.9	>0.9	>0.9	>0.9
产品尺寸 DIMENSIONS	456×122×77	456×122×77	536×166×77	536×166×77	618×461×77	618×461×77

道路模拟展示

Road simulation display

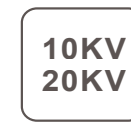


产品细节

Product details



SPECIAL LED
专用 LED



SPD
防雷器



Photocell
光控



0-10V / PWM /
Timmer Dali



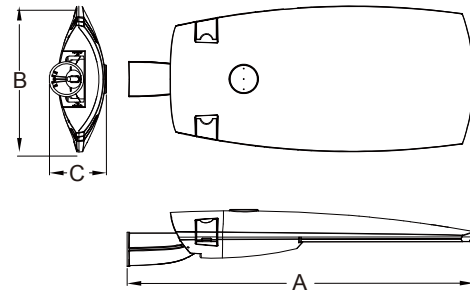
WIRELESS CONTROL
SYSTEM
无线控制系统



street light 路灯 · FJ-SL102

- 免工具安装, 维护方便
- 光效 > 130lm/w
- 60mm标准管径
- 10kV标准防雷等级
- 节能70%, ROL周期短
- L70可达10万小时, 维护成本低
- 一体式ADC12 高压铸铝外壳, 散热效果佳
- 支持水平和垂直安装, 适用于不同的灯杆, 安装方便
- Type: I / II / III / IV / V 型配光, 可满足不同的道路照明要求
- 认证齐全: CE, RoHS, ENEC, CB, LM79, LM80, TM-21, IP66, IK08

- Tool-free installation, easy maintenance
- Luminous efficiency > 130lm/w
- 60mm standard pipe diameter
- 10kV standard lightning protection level
- 70% energy saving, short ROL cycle
- L70 up to 100,000 hours, low maintenance cost
- One-piece ADC12 high-pressure cast aluminum shell, good heat dissipation
- Support horizontal and vertical installation, suitable for different light poles, easy to install
- Type: I / II / III / IV / V light distribution, can meet different road lighting requirements
- Full certification: CE, RoHS, ENEC, CB, LM79, LM80, TM-21, IP66, IK08



产品尺寸 Fixture Information		
型号 Item No.	AxBxC(mm)	重量(kg)
S	606×283×148	4.9
M	722×289×148	6.6
L	860×362×141	9.7

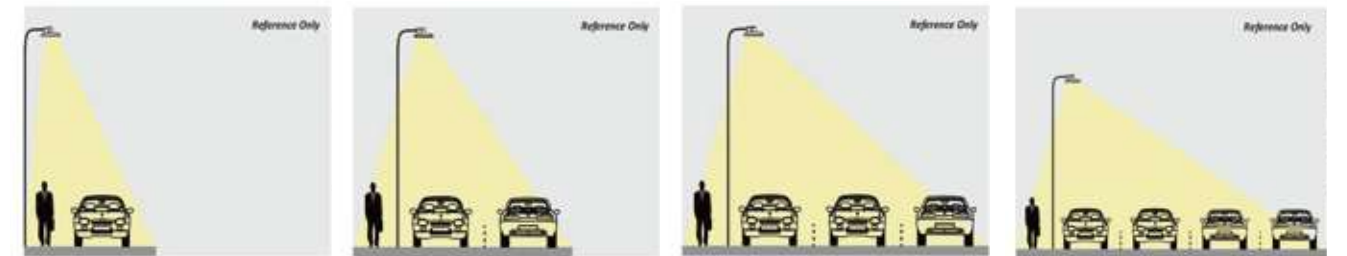
产品技术参数

Product technical parameters

产品型号 ITEM NO.	SL 102-30W	SL 102-50W	SL 102-60W	SL 102-80W	SL 102-100W	SL 102-120W	SL 102-150W	SL 102-200W	SL 102-220W	SL 102-240W
功率 POWER	30W	50W	60W	80W	100W	120W	150W	200W	220W	240W
光效 LUMEN EFFICIENCY	130lm/w	130lm/w	130lm/w	130lm/w	130lm/w	130lm/w	130lm/w	130lm/w	130lm/w	130lm/w
色温 CCT	3000-6000K	3000-6000K	3000-6000K	3000-6000K	3000-6000K	3000-6000K	3000-6000K	3000-6000K	3000-6000K	3000-6000K
显指 CRI	>80	>80	>80	>80	>80	>80	>80	>80	>80	>80
输入电压 INPUT VOLTAGE	AC100-265V	AC100-265V	AC100-265V	AC100-265V	AC100-265V	AC100-265V	AC100-265V	AC100-265V	AC100-265V	AC100-265V
防护等级 IP	IP66	IP66	IP66	IP66	IP66	IP66	IP66	IP66	IP66	IP66
发光角度 BEAM ANGLE	Type I / II / III / IV / V	Type I / II / III / IV / V	Type I / II / III / IV / V	Type I / II / III / IV / V	Type I / II / III / IV / V	Type I / II / III / IV / V	Type I / II / III / IV / V	Type I / II / III / IV / V	Type I / II / III / IV / V	Type I / II / III / IV / V
功率因素 PF	>0.9	>0.9	>0.9	>0.9	>0.9	>0.9	>0.9	>0.9	>0.9	>0.9
产品尺寸 DIMENSIONS	621×287×96	621×287×96	621×287×96	738×289×118	738×289×118	922×362×140	922×362×140	922×362×140	922×362×140	922×362×140

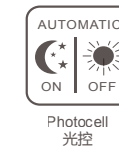
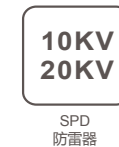
道路模拟展示

Road simulation display



产品细节

Product details

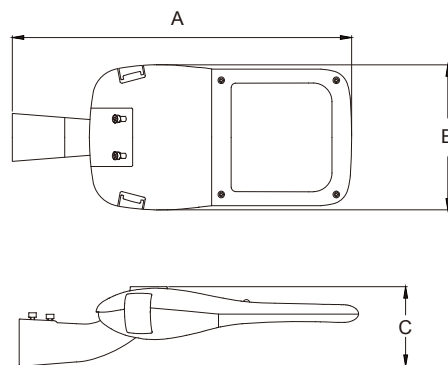




street light 路灯 · Aurora/云露

- 节能70%，投资回报快。
- L70时高达100000小时，维护成本低
- 无需工具即可打开驱动，便于维护
- 一体化ADC12压铸铝设计，散热效果佳
- 世界级、认可的质量组件 (LED/驱动器)
- /II /III/IV/V型配光可满足道路照明的不同要求
- 无频闪稳定光输出、功率因素0.95维护电网稳定
- IP66、IK08灯具防护等级，满足高温高湿等环境使用
- 可水平、垂直安装，可调角±15°，可满足不同角度照明需要

- 70% energy savings and fast return on investment.
- Up to 100,000 hours at L70, low maintenance costs
- Open drive without tools for easy maintenance
- Integrated ADC12 die-cast aluminum design for excellent heat dissipation
- World-class, recognized quality components (LEDs/drivers, etc.)
- /II/III/IV/V light distribution to meet the different requirements of road lighting
- Stable light output without flicker, power factor 0.95 to maintain grid stability.
- IP66, IK08 lamps and lanterns protection level, to meet the high temperature and high humidity and other environmental use
- Can be installed horizontally and vertically, adjustable angle ±15°, can meet the needs of different angle lighting



产品尺寸 Fixture Information	
型号 Item No.	AxBxC(mm)
FJ-SL123-30W~60W	621×287×96
FJ-SL123-80W~150W	738×289×118
FJ-SL123-200W~240W	922×362×140

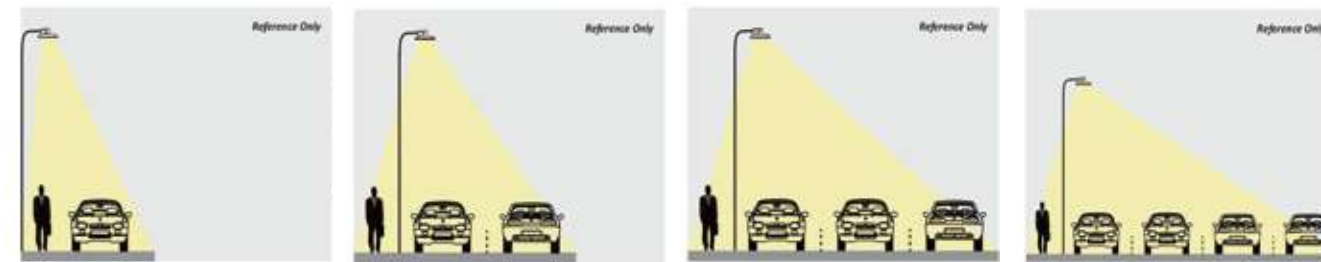
产品技术参数

Product technical parameters

产品型号 ITEM NO.	FJ-SL123-30W	FJ-SL123-50W	FJ-SL123-60W	FJ-SL123-80W	FJ-SL123-100W	FJ-SL123-120W	FJ-SL123-150W	FJ-SL123-200W	FJ-SL123-240W
功率 POWER	30W	50W	60W	80W	100W	120W	150W	200W	240W
光效 LUMEN EFFICIENCY	125lm/w	125lm/w	125lm/w	125lm/w	125lm/w	125lm/w	125lm/w	125lm/w	125lm/w
色温 CCT	3000-6000K	3000-6000K	3000-6000K	3000-6000K	3000-6000K	3000-6000K	3000-6000K	3000-6000K	3000-6000K
显指 CRI	>80	>80	>80	>80	>80	>80	>80	>80	>80
输入电压 INPUT VOLTAGE	AC180-265V	AC180-265V	AC180-265V	AC180-265V	AC180-265V	AC180-265V	AC180-265V	AC180-265V	AC180-265V
防护等级 IP	IP66	IP66	IP66	IP66	IP66	IP66	IP66	IP66	IP66
发光角度 BEAM ANGLE	Type I / II / III / IV / V	Type I / II / III / IV / V	Type I / II / III / IV / V	Type I / II / III / IV / V	Type I / II / III / IV / V	Type I / II / III / IV / V	Type I / II / III / IV / V	Type I / II / III / IV / V	Type I / II / III / IV / V
功率因素 PF	>0.95	>0.95	>0.95	>0.95	>0.95	>0.95	>0.95	>0.95	>0.95
产品尺寸 DIMENSIONS	660×320×185	660×320×185	660×320×185	738×289×118	738×289×118	738×289×118	738×289×118	922×362×140	922×362×140

道路模拟展示

Road simulation display



产品细节

Product details

CONTROL SYSTEM SUPPORT
(PHOTOCELL, NEMA/ZHAGA SOCKET)
控制系统支座

(光控、NEMA/ZHAGA底座)

TEMPERED GLASS COVER WITH UV-RESISTANT
POLYCARBONATE
带紫外线聚碳酸酯的钢化玻璃罩

10KV SURGE PROTECTION
10kV浪涌保护

搭扣
TOOLLESS OPEN CLIP

挑臂
ADJUSTABLE FITTER
(+/- 0-5-10-15 DEGREES)

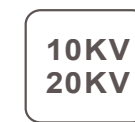
HIGH END PROGRAMMABLE
LED DRIVER
高端可编程LED驱动

OPTIONAL: KNIFE SWITCH
可配置：短路开关

水平调整装置
LEVELLING DEVICE



SPECIAL LED
专用LED



SPD
防雷器



Photocell
光控



0-10V / PWM /
Timmer Dali



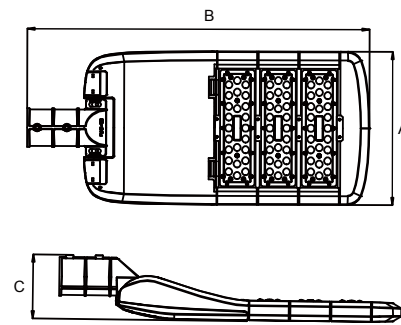
WIRELESS CONTROL
SYSTEM
无线控制系统



street light 路灯 · FJ-SL109

- 节能70%，投资回报快。
- L70时高达100000小时，维护成本低。
- 无需工具即可打开驱动，便于维护。
- 一体化ADC12压铸铝设计，散热效果佳。
- 世界级、认可的质量组件（LED/驱动器等）。
- I / II / III / IV / V 型配光可满足道路照明的不同要求。
- 无频闪稳定光输出、功率因素0.95维护电网稳定。
- IP66、IK08灯具防护等级，满足高温高湿等环境使用。
- 可水平、垂直安装，可调角±15°，可满足不同角度照明需要。

- 70% energy saving, fast return on investment;
- Up to 100,000 hours at L70, low maintenance costs.
- No tools to open the drive, easy to maintain.
- Integrated ADC12 die-cast aluminum design for excellent heat dissipation;
- World-class, recognized quality components (LEDs/drivers, etc.).
- I / II / III / IV / V type light distribution can meet the different requirements of road lighting.
- Stable light output without strobe, power factor 0.95 to maintain the stability of the power grid.
- IP66, IK08 lamps and lanterns protection level, to meet the high temperature and high humidity and other environmental use.
- Can be installed horizontally and vertically, adjustable angle ±15°, can meet the needs of different angle lighting.



产品尺寸 Fixture Information	
型号 Item No.	AxBxC(mm)
FJ-SL109-60W	310×526×130
FJ-SL109-80W~120W	310×609×130
FJ-SL109-150W~180W	310×692×130
FJ-SL109-200W~240W	310×775×130
FJ-SL109-300W	310×858×130

产品技术参数

Product technical parameters

产品型号 ITEM NO.	FJ-SL109-60W	FJ-SL109-80W	FJ-SL109-100W	FJ-SL109-120W	FJ-SL109-150W	FJ-SL109-180W	FJ-SL109-200W	FJ-SL109-240W	FJ-SL109-300W
功率 POWER	60W	80W	100W	120W	150W	180W	200W	240W	300W
光效 LUMEN EFFICIENCY	140lm/w	140lm/w	140lm/w	140lm/w	140lm/w	140lm/w	140lm/w	140lm/w	140lm/w
色温 CCT	3000-6000K	3000-6000K	3000-6000K	3000-6000K	3000-6000K	3000-6000K	3000-6000K	3000-6000K	3000-6000K
显指 CRI	>80	>80	>80	>80	>80	>80	>80	>80	>80
输入电压 INPUT VOLTAGE	AC180-265V	AC180-265V	AC180-265V	AC180-265V	AC180-265V	AC180-265V	AC180-265V	AC180-265V	AC180-265V
防护等级 IP	IP65	IP65	IP65	IP65	IP65	IP65	IP65	IP65	IP65
发光角度 BEAM ANGLE	Type I / II / III / IV / V	Type I / II / III / IV / V	Type I / II / III / IV / V	Type I / II / III / IV / V	Type I / II / III / IV / V	Type I / II / III / IV / V	Type I / II / III / IV / V	Type I / II / III / IV / V	Type I / II / III / IV / V
功率因素 PF	>0.95	>0.95	>0.95	>0.95	>0.95	>0.95	>0.95	>0.95	>0.95
产品尺寸 DIMENSIONS	310×526×130	310×609×130	310×609×130	310×609×130	310×692×130	310×692×130	310×775×130	310×775×130	310×858×130

道路模拟展示

Road simulation display



产品细节

Product details

SPD:10KV/15KV/20KV optional
防雷器:10KV/15KV/20KV

光控: Extra Photocell:
3pin/7pin 3pin or 7pin Sensor optional

抗UV-PC透镜
Tempered glass Cover with UV-resistant Polycarbonate

Tool free open clips
搭扣

60mm可调弯臂
60mm Adjustable adaptor

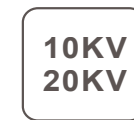
Different brand driver:Done/Philips
驱动:Done/Philips

调光范围:0-10V,PWM,DAIL,Timer 等
Dimmer way:0-10V,PWM,DAIL,Timer ect

Electrical disconnecter switch
电器隔离开关



SPECIAL LED
专用 LED



SPD
防雷器



Photocell
光控



Dimmer
0-10V / PWM /
Timmer Dali



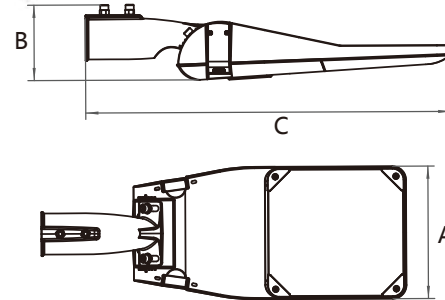
WIRELESS CONTROL,
SYSTEM
无线控制系统



street light 路灯 · EOS/云景

- L70时高达100000小时，维护成本低
- 具有出色的散热和压缩系统
- 配备高品质的电气元件，使用寿命长
- 无需工具即可打开驱动，便于维护
- 一体化ADC12压铸铝设计，散热效果佳
- 无频闪稳定光输出、功率因素0.95维护电网稳定。
- IP66、IK08灯具防护等级，满足高温高湿等环境使用。
- 可水平安装或垂直安装调节±15°，可满足不同角度照明需要

- Up to 100,000 hours at L70 with low maintenance costs
- Excellent heat dissipation and compression system
- Long service life due to high-quality electrical components
- Tool-less drive opening for easy maintenance
- Integrated ADC12 die-cast aluminum design, excellent heat dissipation
- Stable light output without flicker, power factor 0.95 to maintain grid stability.
- IP66, IK08 lamps and lanterns protection level, to meet the high temperature and high humidity and other environmental use.
- Can be installed horizontally or vertically adjustable ±15°, can meet the different angles of lighting needs.



产品尺寸 Fixture Information	
型号 Item No.	AxBxC(mm)
SS	209x119x576
S	245x120x632
M	245x120x682
L	299x120x732

产品技术参数

Product technical parameters

产品型号 ITEM NO.	FJ-SL-YJ30W-SS	FJ-SL-YJ50W-SS	FJ-SL-YJ60W-SS	FJ-SL-YJ80W-SS	FJ-SL-YJ100W-SS	FJ-SL-YJ120W-SS	FJ-SL-YJ150W-SS	FJ-SL-YJ180W-SS	FJ-SL-YJ200W-SS	FJ-SL-YJ240W-SS
功率 POWER	30W	50W	60W	80W	100W	120W	150W	180W	200W	240W
光效 LUMEN EFFICIENCY	130-160lm/w	130-160lm/w	130-160lm/w	130-160lm/w	130-160lm/w	130-160lm/w	130-160lm/w	130-160lm/w	130-160lm/w	130-160lm/w
色温 CCT	3000-6000K	3000-6000K	3000-6000K	3000-6000K	3000-6000K	3000-6000K	3000-6000K	3000-6000K	3000-6000K	3000-6000K
显指 CRI	>80	>80	>80	>80	>80	>80	>80	>80	>80	>80
输入电压 INPUT VOLTAGE	AC180-265V	AC180-265V	AC180-265V	AC180-265V	AC180-265V	AC180-265V	AC180-265V	AC180-265V	AC180-265V	AC180-265V
防护等级 IP	IP66	IP66	IP66	IP66	IP66	IP66	IP66	IP66	IP66	IP66
发光角度 BEAM ANGLE	Type 1 / 0 / 0 / 0 / 0 / 0	Type 1 / 0 / 0 / 0 / 0 / 0	Type 1 / 0 / 0 / 0 / 0 / 0	Type 1 / 0 / 0 / 0 / 0 / 0	Type 1 / 0 / 0 / 0 / 0 / 0	Type 1 / 0 / 0 / 0 / 0 / 0	Type 1 / 0 / 0 / 0 / 0 / 0	Type 1 / 0 / 0 / 0 / 0 / 0	Type 1 / 0 / 0 / 0 / 0 / 0	Type 1 / 0 / 0 / 0 / 0 / 0
功率因素 PF	>0.95	>0.95	>0.95	>0.95	>0.95	>0.95	>0.95	>0.95	>0.95	>0.95
产品尺寸 DIMENSIONS	209x119x576	209x119x576	209x119x576	209x119x576	245x120x632	245x120x632	245x120x632	245x120x682	299x120x732	299x120x732

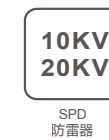
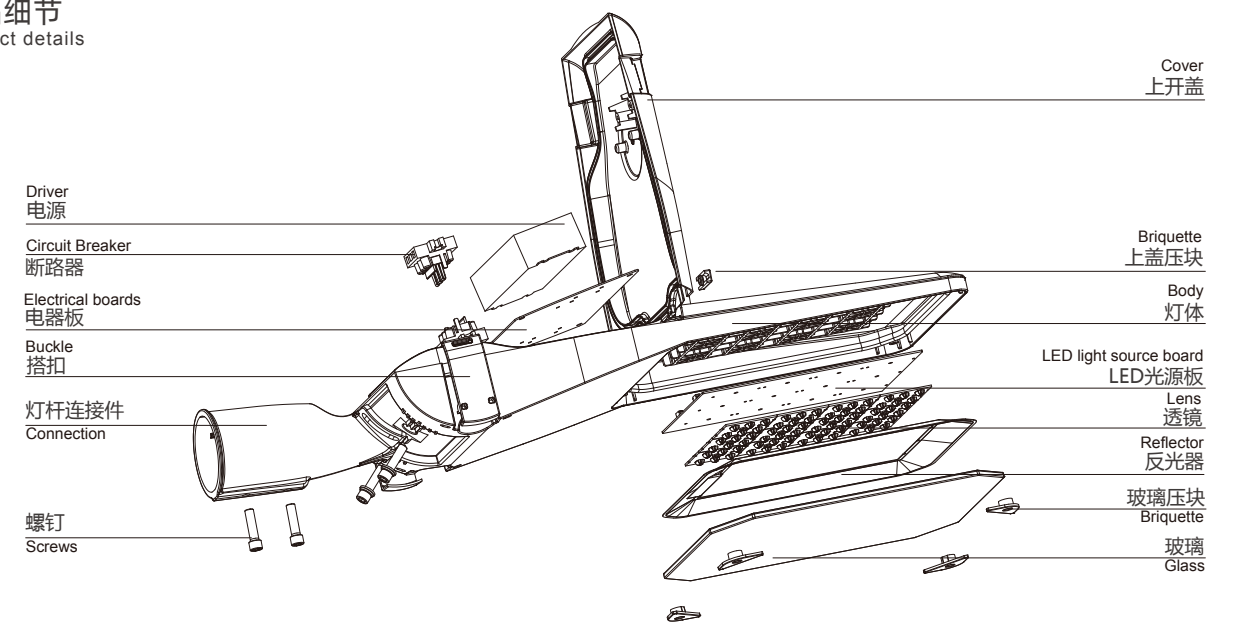
道路模拟展示

Road simulation display



产品细节

Product details





street light 路灯 · FJ-SL127

- 扁平的外观设计，时尚美观；
- 一体化ADC12压铸铝设计，散热效果佳；
- L70寿命>100000小时，维护成本低；
- 无需工具即可打开驱动，便于维护；
- I / II / III / IV / V 型配光可满足道路照明的不同要求；
- 无频闪稳定光输出、功率因素0.90维护电网稳定；
- IP65、IK08灯具防护等级，满足高温高湿等环境使用。

- Flat appearance design, fashionable and beautiful;
- Integral ADC12 die-casting aluminum design, good heat dissipation;
- L70 life > 100000 hours, low maintenance cost;
- No tools to open the drive, easy to maintain.
- I / II / III / IV / V type light distribution can meet the different requirements of road lighting.
- Stable light output without strobe, power factor 0.90 to maintain the stability of the power grid.
- IP65, IK08 lamp protection level, to meet the high temperature and high humidity and other environmental use.



产品尺寸 Fixture Information	
型号 Item No.	AxBxC(mm)
FJ-SL127-50W	390x160x75
FJ-SL127-100W	470x200x75
FJ-SL127-150W	530x220x75
FJ-SL127-200W	600x250x75

产品技术参数

Product technical parameters

产品型号 ITEM NO.	FJ-SL127-50W	FJ-SL127-100W	FJ-SL127-150W	FJ-SL127-200W
功率 POWER	50W	100W	150W	200W
光效 LUMEN EFFICIENCY	100~110lm/w	100~110lm/w	100~110lm/w	100~110lm/w
色温 CCT	3000-6000K	3000-6000K	3000-6000K	3000-6000K
显指 CRI	>80	>80	>80	>80
输入电压 INPUT VOLTAGE	AC100-265V	AC100-265V	AC100-265V	AC100-265V
防护等级 IP	IP65	IP65	IP65	IP65
发光角度 BEAM ANGLE	Type I / II / III / IV / V	Type I / II / III / IV / V	Type I / II / III / IV / V	Type I / II / III / IV / V
功率因素 PF	>0.9	>0.9	>0.9	>0.9
产品尺寸(mm) DIMENSIONS	390x160x75	470x200x75	530x220x75	600x250x75

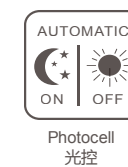
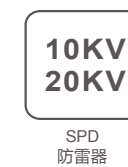
道路模拟展示

Road simulation display



产品细节

Product details

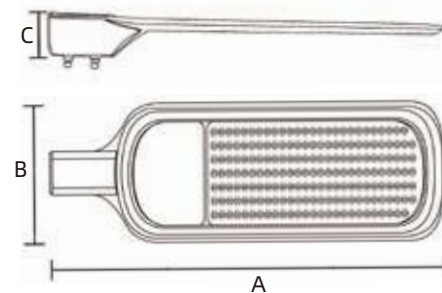




street light
路灯 · FJ-SL122

- 扁平的外观设计，时尚美观；
- 一体化ADC12压铸铝设计，散热效果佳；
- L70寿命>100000小时，维护成本低；
- 无需工具即可打开驱动，便于维护；
- I / II / III / IV / V 型配光可满足道路照明的不同要求；
- 无频闪稳定光输出、功率因素0.90维护电网稳定；
- IP65、IK08灯具防护等级，满足高温高湿等环境使用。

- Flat appearance design, fashionable and beautiful;
- Integral ADC12 die-casting aluminum design, good heat dissipation;
- L70 life>100000 hours, low maintenance cost;
- No tools to open the drive, easy to maintain.
- I / II / III / IV / V type light distribution can meet the different requirements of road lighting.
- Stable light output without strobe, power factor 0.90 to maintain the stability of the power grid.
- IP65, IK08 lamp protection level, to meet the high temperature and high humidity and other environmental use.



产品尺寸 Fixture Information	
型号 Item No.	AxBxC(mm)
FJ-SL122-50W	362×145×62
FJ-SL122-100W	486×165×62
FJ-SL122-150W	545×206×72
FJ-SL122-200W	623×235×72

产品技术参数

Product technical parameters

产品型号 ITEM NO.	FJ-SL122-50W	FJ-SL122-100W	FJ-SL122-150W	FJ-SL122-200W
功率 POWER	50W	100W	150W	200W
光效 LUMEN EFFICIENCY	100~110lm/w	100~110lm/w	100~110lm/w	100~110lm/w
色温 CCT	3000-6000K	3000-6000K	3000-6000K	3000-6000K
显指 CRI	>80	>80	>80	>80
输入电压 INPUT VOLTAGE	AC100-265V	AC100-265V	AC100-265V	AC100-265V
防护等级 IP	IP65	IP65	IP65	IP65
发光角度 BEAM ANGLE	Type I / II / III / IV / V	Type I / II / III / IV / V	Type I / II / III / IV / V	Type I / II / III / IV / V
功率因素 PF	>0.9	>0.9	>0.9	>0.9
产品尺寸(mm) DIMENSIONS	362×145×62	486×165×62	545×206×72	623×235×72

道路模拟展示

Road simulation display



模拟服务

Simulation Services

我们能提供模拟服务：

- AGI32 模拟
- Calculux 模拟
- Dialux/EVO 模拟



SPECIAL LED
专用 LED



SPD
防雷器



Photocell
光控



0-10V / PWM /
Timmer Dali



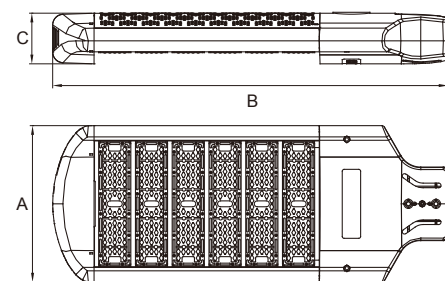
无线控制系统



street light 路灯 · Apollo/阿波罗

- 一体化ADC12压铸铝设计，散热效果佳；
- L70时高达100000小时，维护成本低；
- I / II / III / IV / V 型配光可满足道路照明的不同要求；
- 无频闪稳定光输出、功率因素0.95维护电网稳定；
- IP66、IK10灯具防护等级，满足高温高湿等环境使用。

- Integral ADC12 die-cast aluminum design, good heat dissipation;
- Up to 100,000 hours at L70, low maintenance cost.
- I / II / III / IV / V type light distribution can meet the different requirements of road lighting;
- Stable light output without strobe, power factor 0.95 to maintain the stability of the power grid.
- IP66, IK10 lamps and lanterns protection level, to meet the high temperature and high humidity and other environmental use.



产品尺寸 Fixture Information	
型号 Item No.	AxBxC(mm)
FJ-SL111-100W~150W	691×305×134
FJ-SL111-200W	830×385×165

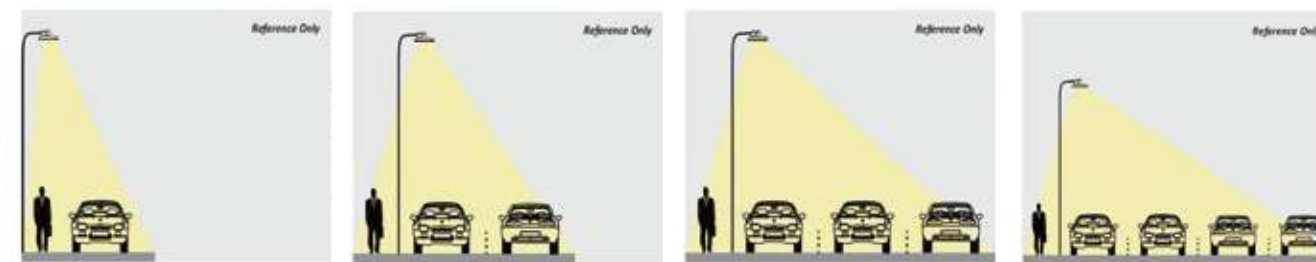
产品技术参数

Product technical parameters

产品型号 ITEM NO.	FJ-SL116-80W	FJ-SL116-100W	FJ-SL116-120W	FJ-SL116-150W	FJ-SL116-200W	FJ-SL116-240W	FJ-SL116-300W	FJ-SL116-350W
功率 POWER	80W	100W	120W	150W	200W	240W	300W	350W
光效 LUMEN EFFICIENCY	130-160lm/w	130-160lm/w	130-160lm/w	130-160lm/w	130-160lm/w	130-160lm/w	130-160lm/w	130-160lm/w
色温 CCT	3000-6000K	3000-6000K	3000-6000K	3000-6000K	3000-6000K	3000-6000K	3000-6000K	3000-6000K
显指 CRI	>80	>80	>80	>80	>80	>80	>80	>80
输入电压 INPUT VOLTAGE	AC180-265V	AC180-265V	AC180-265V	AC180-265V	AC180-265V	AC180-265V	AC180-265V	AC180-265V
防护等级 IP	IP66	IP66	IP66	IP66	IP66	IP66	IP66	IP66
发光角度 BEAM ANGLE	Type I / II / III / IV / V	Type I / II / III / IV / V	Type I / II / III / IV / V	Type I / II / III / IV / V	Type I / II / III / IV / V	Type I / II / III / IV / V	Type I / II / III / IV / V	Type I / II / III / IV / V
功率因素 PF	>0.9	>0.9	>0.9	>0.9	>0.9	>0.9	>0.9	>0.9
产品尺寸(mm) DIMENSIONS	310×609×130	310×609×130	310×609×130	310×692×130	310×775×130	310×775×130	310×858×130	310×858×130

道路模拟展示

Road simulation display



模拟服务

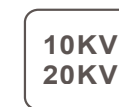
Simulation Services

我们能提供模拟服务：

- AGI32 模拟
- Calculux 模拟
- Dialux/EVO 模拟



SPECIAL LED
专用 LED



SPD
防雷器



Photocell
光控



Dimmer
0-10V / PWM /
Timer Dali



WIRELESS CONTROL
SYSTEM
无线控制系统

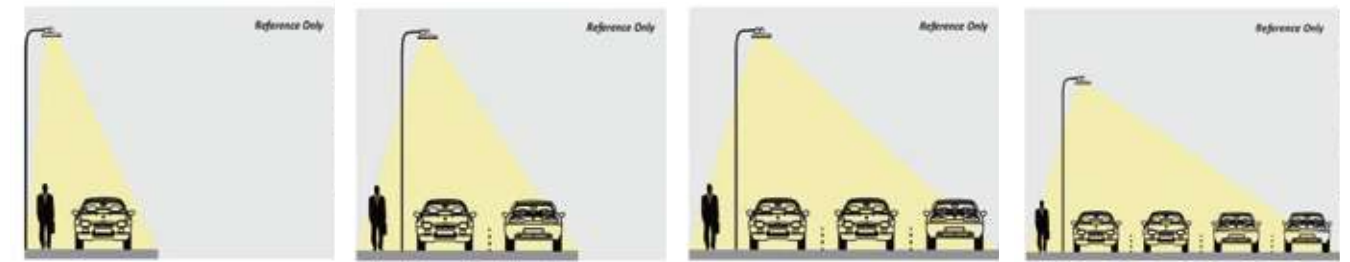
产品技术参数

Product technical parameters

产品型号 ITEM NO.	FJ-SL121-30W	FJ-SL121-50W	FJ-SL121-100W	FJ-SL121-150W	FJ-SL121-200W
功率 POWER	30W	50W	100W	150W	200W
光效 LUMEN EFFICIENCY	110~120lm/w	110~120lm/w	110~120lm/w	110~120lm/w	110~120lm/w
色温 CCT	3000-6000K	3000-6000K	3000-6000K	3000-6000K	3000-6000K
显指 CRI	>80	>80	>80	>80	>80
输入电压 INPUT VOLTAGE	AC100-265V	AC100-265V	AC100-265V	AC100-265V	AC100-265V
防护等级 IP	IP65	IP65	IP65	IP65	IP65
发光角度 BEAM ANGLE	Type I / II / III / IV / V	Type I / II / III / IV / V	Type I / II / III / IV / V	Type I / II / III / IV / V	Type I / II / III / IV / V
功率因素 PF	>0.9	>0.9	>0.9	>0.9	>0.9
产品尺寸(mm) DIMENSIONS	420×200×70	420×200×70	495×215×80	540×215×80	600×235×80

道路模拟展示

Road simulation display

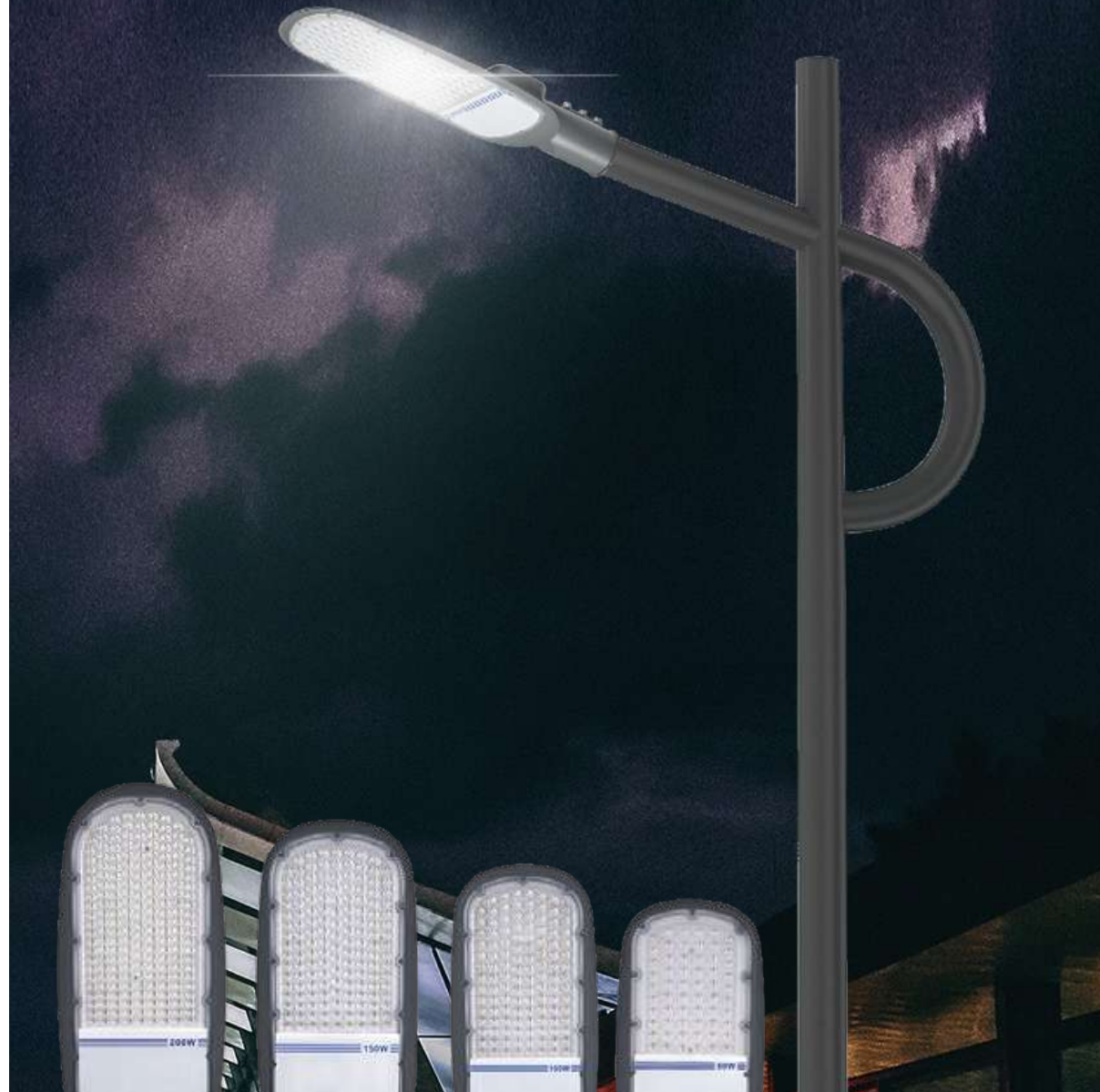


模拟服务

Simulation Services

我们能提供模拟服务:

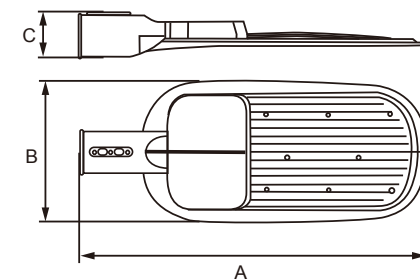
- AGI32 模拟
- Calculux 模拟
- Dialux/EVO 模拟



street light
路灯 · FJ-SL121

- 一体化ADC12压铸铝设计，散热效果佳；
- L70时高达100000小时，维护成本低；
- 无需工具即可打开驱动，便于维护；
- 无频闪稳定光输出、功率因素0.95维护电网稳定；
- IP66、IK08灯具防护等级，满足高温高湿等环境使用。

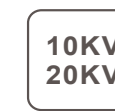
- Integral ADC12 die-cast aluminum design, good heat dissipation;
- Up to 100,000 hours at L70, low maintenance cost;
- No tools to open the drive, easy maintenance;
- Stable light output without strobe, power factor 0.95 to maintain the stability of the power grid.
- IP66, IK08 lamps and lanterns protection level, to meet the high temperature and high humidity and other environmental use.



产品尺寸 Fixture Information	
型号 Item No.	AxBxC(mm)
FJ-SL121-30W-50W	420×200×70
FJ-SL121-100W	495×215×80
FJ-SL121-150W	540×215×80
FJ-SL121-200W	600×235×80



SPECIAL LED
专用 LED



SPD
防雷器



Photocell
光控



0-10V / PWM /
Timmer Dali



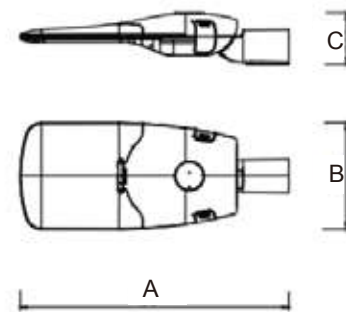
WIRELESS CONTROL
SYSTEM
无线控制系统



street light 路灯 · FJ-SL124

- 节能70%，投资回报快。
- L70时高达100000小时，维护成本低。
- 无需工具即可打开驱动，便于维护。
- 一体化ADC12压铸铝设计，散热效果佳。
- 世界级、认可的质量组件 (LED/驱动器等)。
- I/II /III/IV/V型配光可满足道路照明的不同要求。
- 无频闪稳定光输出、功率因素0.95维护电网稳定。
- IP66、IK08灯具防护等级，满足高温高湿等环境使用
- 可水平、垂直安装，可调角±15°，可满足不同角度照明需要。

- 70% energy savings and fast return on investment.
- Up to 100,000 hours at L70 for low maintenance.
- Open drive without tools for easy maintenance.
- Integrated ADC12 die-cast aluminum design for excellent heat dissipation.
- World-class, recognized quality components (LEDs/drivers, etc.).
- I/II/III/IV/V type light distribution can meet different requirements of road lighting.
- Stable light output without strobe, power factor 0.95 to maintain grid stability.
- IP66, IK08 lamps and lanterns protection level, to meet the high temperature and high humidity and other environmental use.
- Can be installed horizontally and vertically, adjustable angle ±15°, can meet the needs of different angle lighting.



产品尺寸 Fixture Information	
型号 Item No.	AxBxC(mm)
FJ-SL124-30W~80W	607×240×117
FJ-SL124-100W~120W	683×277×118
FJ-SL124-150W~240W	733×343×116

产品技术参数

Product technical parameters

产品型号 ITEM NO.	FJ-SL124-30W	FJ-SL124-50W	FJ-SL124-60W	FJ-SL124-80W	FJ-SL124-100W	FJ-SL124-120W	FJ-SL124-150W	FJ-SL124-200W	FJ-SL124-240W
功率 POWER	30W	50W	60W	80W	100W	120W	150W	200W	240W
光效 LUMEN EFFICIENCY	125lm/w	125lm/w	125lm/w	125lm/w	125lm/w	125lm/w	125lm/w	125lm/w	125lm/w
色温 CCT	3000-6000K	3000-6000K	3000-6000K	3000-6000K	3000-6000K	3000-6000K	3000-6000K	3000-6000K	3000-6000K
显指 CRI	>80	>80	>80	>80	>80	>80	>80	>80	>80
输入电压 INPUT VOLTAGE	AC180-265V	AC180-265V	AC180-265V	AC180-265V	AC180-265V	AC180-265V	AC180-265V	AC180-265V	AC180-265V
防护等级 IP	IP66	IP66	IP66	IP66	IP66	IP66	IP66	IP66	IP66
发光角度 BEAM ANGLE	Type I/II/III/IV	Type I/II/III/IV	Type I/II/III/IV	Type I/II/III/IV	Type I/II/III/IV	Type I/II/III/IV	Type I/II/III/IV	Type I/II/III/IV	Type I/II/III/IV
功率因素 PF	>0.95	>0.95	>0.95	>0.95	>0.95	>0.95	>0.95	>0.95	>0.95
产品尺寸 DIMENSIONS	607×240×117	607×240×117	607×240×117	607×240×117	683×277×118	683×277×118	733×343×116	733×343×116	733×343×116

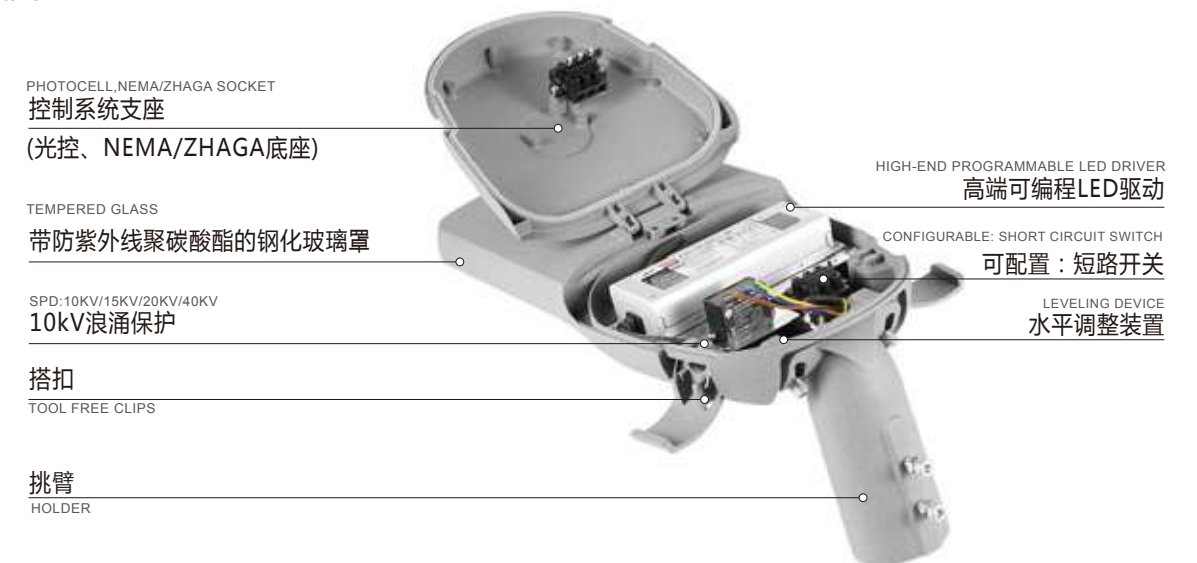
道路模拟展示

Road simulation display

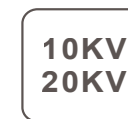


产品细节

Product details



SPECIAL LED
专用 LED



SPD
防雷器



Photocell
光控



0-10V / PWM /
Timmer Dali



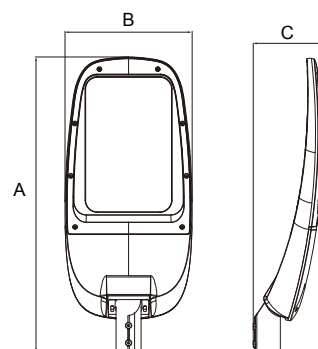
WIRELESS CONTROL,
SYSTEM
无线控制系统



street light 路灯 · FJ-SL103

- 采用透光率高的钢化玻璃
- 一体化ADC12压铸铝设计，散热效果佳
- L70时高达100000小时，维护成本低。
- 无需工具即可打开驱动，便于维护
- I/T/T/IV/V型配光可满足道路照明的不同要求。
- 无频闪稳定光输出、功率因素0.95维护电网稳定。
- IP66、IK08灯具防护等级，满足高温高湿等环境使用。
- 可水平、垂直安装，可调角±15°，可满足不同角度照明需要。

- Adoption of tempered glass with high light transmittance
- One-piece ADC12 die-cast aluminum design with excellent heat dissipation
- Up to 100,000 hours at L70, low maintenance cost.
- Open drive without tools, easy maintenance
- I/T/T/IV/V type light distribution can meet the different requirements of road lighting.
- Stable light output without strobe, power factor 0.95 to maintain the stability of the power grid.
- IP66, IK08 lamps and lanterns protection level, to meet the high temperature and high humidity and other environmental use.
- Can be installed horizontally and vertically, adjustable angle ±15°, can meet the needs of different angle lighting.



产品尺寸 Fixture Information	
型号 Item No.	AxBxC(mm)
FJ-SL103-30W~50W	507×210×143
FJ-SL103-60W~100W	616×259×186
FJ-SL103-120W~150W	676×303×186
FJ-SL103-120W~150W	753×366×198

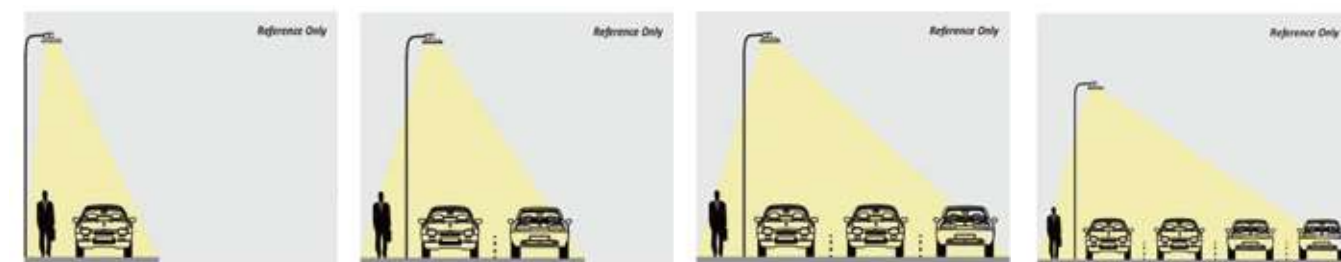
产品技术参数

Product technical parameters

产品型号 ITEM NO.	FJ-SL103-30W	FJ-SL103-50W	FJ-SL103-60W	FJ-SL103-80W	FJ-SL103-100W	FJ-SL103-120W	FJ-SL103-150W	FJ-SL103-200W	FJ-SL103-240W
功率 POWER	30W	50W	60W	80W	100W	120W	150W	200W	240W
光效 LUMEN EFFICIENCY	125lm/w	125lm/w	125lm/w	125lm/w	125lm/w	125lm/w	125lm/w	125lm/w	125lm/w
色温 CCT	3000-6000K	3000-6000K	3000-6000K	3000-6000K	3000-6000K	3000-6000K	3000-6000K	3000-6000K	3000-6000K
显指 CRI	>80	>80	>80	>80	>80	>80	>80	>80	>80
输入电压 INPUT VOLTAGE	AC180-265V	AC180-265V	AC180-265V	AC180-265V	AC180-265V	AC180-265V	AC180-265V	AC180-265V	AC180-265V
防护等级 IP	IP66	IP66	IP66	IP66	IP66	IP66	IP66	IP66	IP66
发光角度 BEAM ANGLE	Type I / II / III / IV / V	Type I / II / III / IV / V	Type I / II / III / IV / V	Type I / II / III / IV / V	Type I / II / III / IV / V	Type I / II / III / IV / V	Type I / II / III / IV / V	Type I / II / III / IV / V	Type I / II / III / IV / V
功率因素 PF	>0.95	>0.95	>0.95	>0.95	>0.95	>0.95	>0.95	>0.95	>0.95
产品尺寸 DIMENSIONS	507×210×143	507×210×143	616×259×186	616×259×186	616×259×186	676×303×186	676×303×186	753×366×198	753×366×198

道路模拟展示

Road simulation display

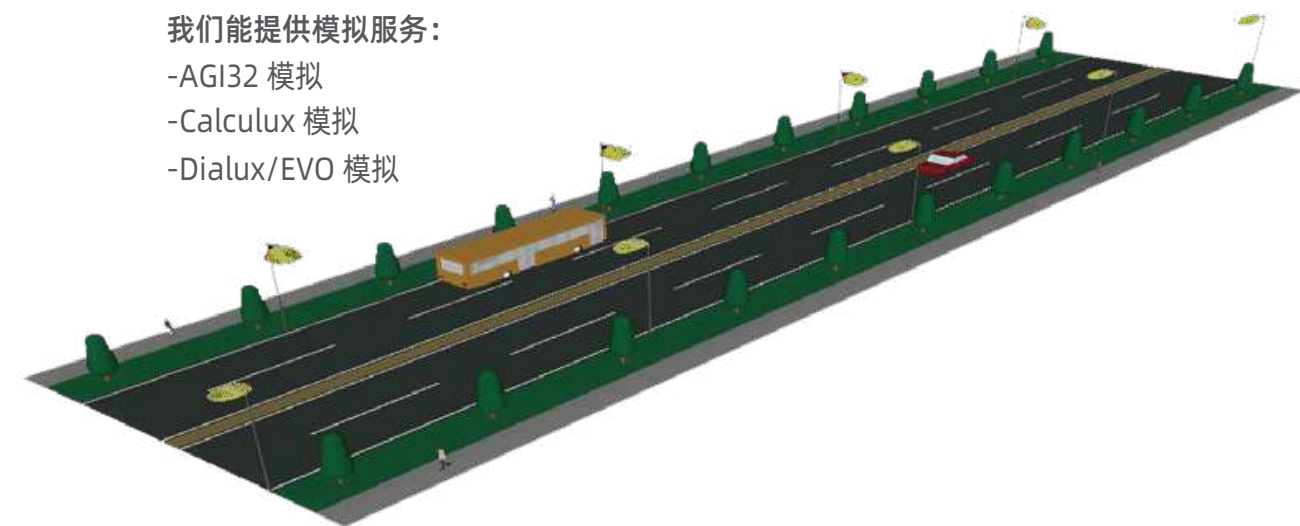


模拟服务

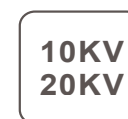
Simulation Services

我们能提供模拟服务:

- AGI32 模拟
- Calculux 模拟
- Dialux/EVO 模拟



SPECIAL LED
专用 LED



SPD
防雷器



Photocell
光控



0-10V / PWM /
Timer Dali



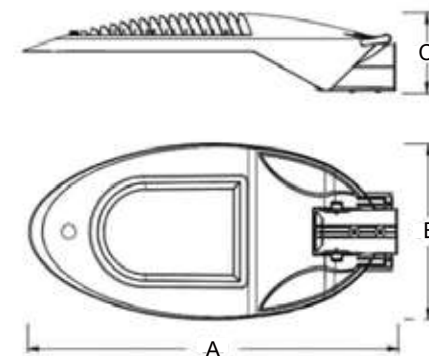
WIRELESS CONTROL
SYSTEM
无线控制系统



street light 路灯 · FJ-SL104

- 采用透光率高的钢化玻璃
- 一体化ADC12压铸铝设计，散热效果佳
- L70时高达100000小时，维护成本低。
- 无需工具即可打开驱动，便于维护
- I/T/T/IV/V型配光可满足道路照明的不同要求。
- 无频闪稳定光输出、功率因素0.95维护电网稳定。
- IP66、IK08灯具防护等级，满足高温高湿等环境使用。
- 可水平、垂直安装，可调角±15°，可满足不同角度照明需要。

- Adoption of tempered glass with high light transmittance
- One-piece ADC12 die-cast aluminum design with excellent heat dissipation
- Up to 100,000 hours at L70, low maintenance cost.
- Open drive without tools, easy maintenance
- I/T/T/IV/V type light distribution can meet different requirements of road lighting.
- Stable light output without strobe, power factor 0.95 to maintain grid stability.
- IP66, IK08 lamps and lanterns protection level, to meet the high temperature and high humidity and other environmental use.
- Can be installed horizontally and vertically, adjustable angle ±15°, can meet the different angles of lighting needs.



产品尺寸 Fixture Information	
型号 Item No.	AxBxC(mm)
FJ-SL104-30W~50W	475×238×103
FJ-SL104-80W~120W	646×303×129
FJ-SL104-150W~200W	676×303×186

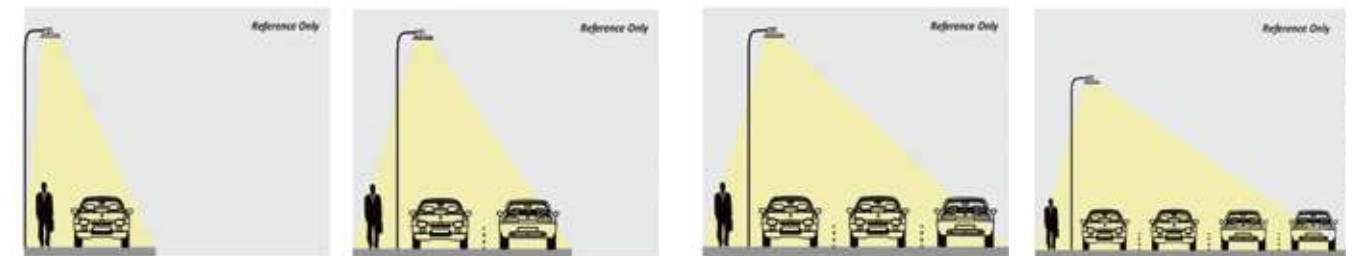
产品技术参数

Product technical parameters

产品型号 ITEM NO.	FJ-SL104-30W	FJ-SL104-50W	FJ-SL104-80W	FJ-SL104-100W	FJ-SL104-120W	FJ-SL104-150W	FJ-SL104-200W
功率 POWER	30W	50W	80W	100W	120W	150W	200W
光效 LUMEN EFFICIENCY	125lm/w	125lm/w	125lm/w	125lm/w	125lm/w	125lm/w	125lm/w
色温 CCT	3000-6000K	3000-6000K	3000-6000K	3000-6000K	3000-6000K	3000-6000K	3000-6000K
显指 CRI	>80	>80	>80	>80	>80	>80	>80
输入电压 INPUT VOLTAGE	AC180-265V	AC180-265V	AC180-265V	AC180-265V	AC180-265V	AC180-265V	AC180-265V
防护等级 IP	IP66	IP66	IP66	IP66	IP66	IP66	IP66
发光角度 BEAM ANGLE	Type I / II / III / IV / V	Type I / II / III / IV / V	Type I / II / III / IV / V	Type I / II / III / IV / V	Type I / II / III / IV / V	Type I / II / III / IV / V	Type I / II / III / IV / V
功率因素 PF	>0.95	>0.95	>0.95	>0.95	>0.95	>0.95	>0.95
产品尺寸 DIMENSIONS	475×238×103	475×238×103	646×303×129	646×303×129	646×303×129	864×374×172	864×374×172

道路模拟展示

Road simulation display



模拟服务

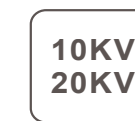
Simulation Services

我们能提供模拟服务:

- AGI32 模拟
- Calculux 模拟
- Dialux/EVO 模拟



SPECIAL LED
专用 LED



SPD
防雷器



Photocell
光控



0-10V / PWM /
Timmer Dali



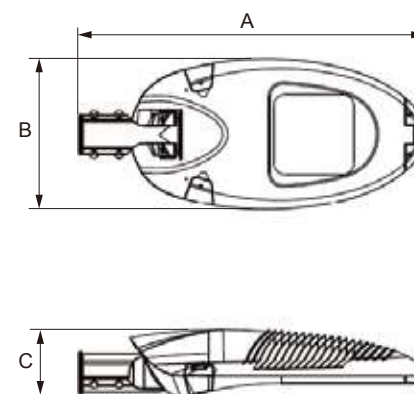
WIRELESS CONTROL
SYSTEM
无线控制系统



street light
路灯 · FJ-SL111

- L70时高达100000小时，维护成本低
- 具有出色的散热和压缩系统
- 配备高品质的电气元件，使用寿命长
- 无需工具即可打开驱动，便于维护
- 一体化ADC12压铸铝设计，散热效果佳
- 无频闪稳定光输出、功率因素0.95维护电网稳定。
- IP66、IK08灯具防护等级，满足高温高湿等环境使用。
- 可水平安装或垂直安装调节±15°，可满足不同角度照明需要

- Up to 100,000 hours at L70 with low maintenance costs
- Excellent heat dissipation and compression system
- Long service life due to high-quality electrical components
- Tool-less drive opening for easy maintenance
- Integrated ADC12 die-cast aluminum design, excellent heat dissipation
- Stable light output without flicker, power factor 0.95 to maintain grid stability.
- IP66, IK08 lamps and lanterns protection level, to meet the high temperature and high humidity and other environmental use.
- Can be installed horizontally or vertically adjustable ±15°, can meet the different angles of lighting needs



产品尺寸 Fixture Information	
型号 Item No.	AxBxC(mm)
FJ-SL111-100W~150W	691×305×134
FJ-SL111-200W	830×385×165

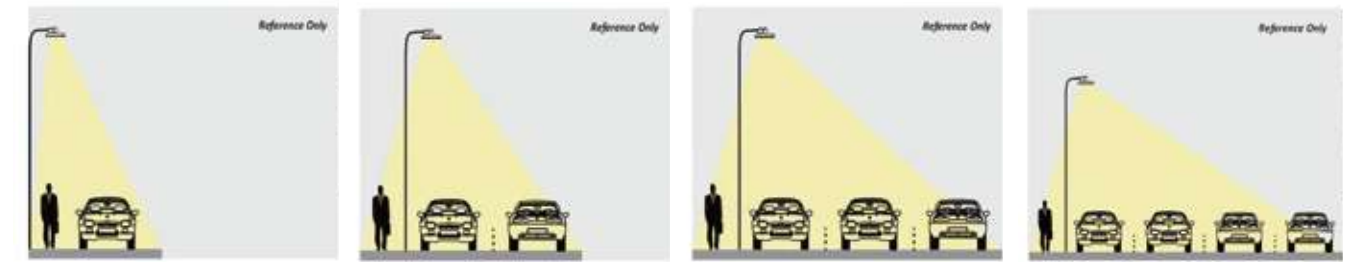
产品技术参数

Product technical parameters

产品型号 ITEM NO.	FJ-SL111-100W	FJ-SL111-120W	FJ-SL111-150W	FJ-SL111-200W
功率 POWER	100W	120W	150W	200W
光效 LUMEN EFFICIENCY	130-160lm/w	130-160lm/w	130-160lm/w	130-160lm/w
色温 CCT	3000-6000K	3000-6000K	3000-6000K	3000-6000K
显指 CRI	>80	>80	>80	>80
输入电压 INPUT VOLTAGE	AC180-265V	AC180-265V	AC180-265V	AC180-265V
防护等级 IP	IP66	IP66	IP66	IP66
发光角度 BEAM ANGLE	Type I / II / III / IV / V	Type I / II / III / IV / V	Type I / II / III / IV / V	Type I / II / III / IV / V
功率因素 PF	>0.95	>0.95	>0.95	>0.95
产品尺寸 DIMENSIONS	691×305×134	691×305×134	691×305×134	830×385×165

道路模拟展示

Road simulation display

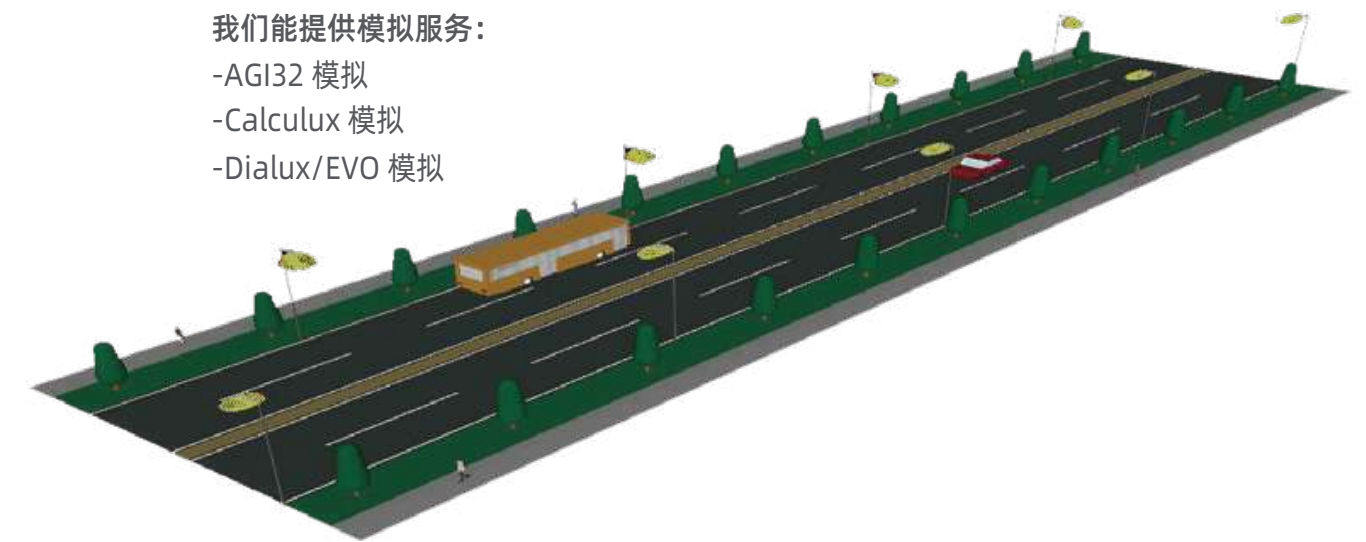


模拟服务

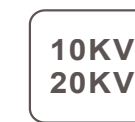
Simulation Services

我们能提供模拟服务：

- AGI32 模拟
- Calculux 模拟
- Dialux/EVO 模拟



SPECIAL LED
专用 LED



SPD
防雷器



Photocell
光控



Dimmer
0-10V / PWM /
Timmer Dali



WIRELESS CONTROL
SYSTEM
无线控制系统

SERIES
OF
HIGH BAY LIGHT



工矿灯
系列篇



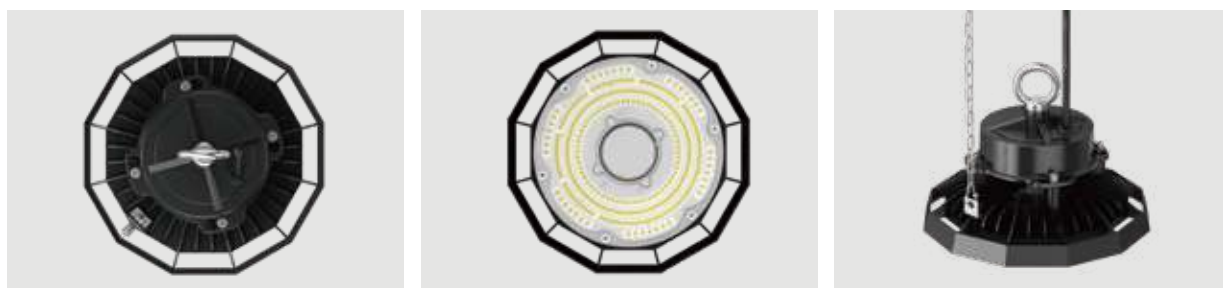
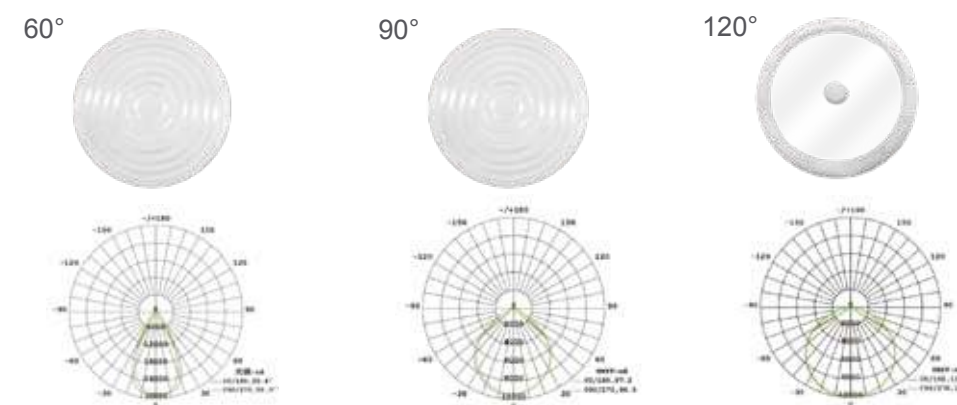
产品技术参数

Product technical parameters

产品型号 ITEM NO.	FJ-IL-Mercury-100W	FJ-IL-Mercury-150W	FJ-IL-Mercury-200W	FJ-IL-Mercury-240W
功率 POWER	100W	150W	200W	240W
光效 LUMEN EFFICIENCY	130m/w、150m/w、210m/w	130m/w、150m/w、210m/w	130m/w、150m/w、210m/w	130m/w、150m/w、210m/w
色温 CCT	3000-6000K	3000-6000K	3000-6000K	3000-6000K
显指 CRI	>80	>80	>80	>80
输入电压 INPUT VOLTAGE	AC100-265V	AC100-265V	AC100-265V	AC100-265V
防护等级 IP	IP65	IP65	IP65	IP65
发光角度 BEAM ANGLE	60°/90°	60°/90°	60°/90°	60°/90°
功率因素 PF	>0.95	>0.95	>0.95	>0.95
产品尺寸(mm) DIMENSIONS	Φ240xH155	Φ280xH155	Φ320xH155	Φ320xH155

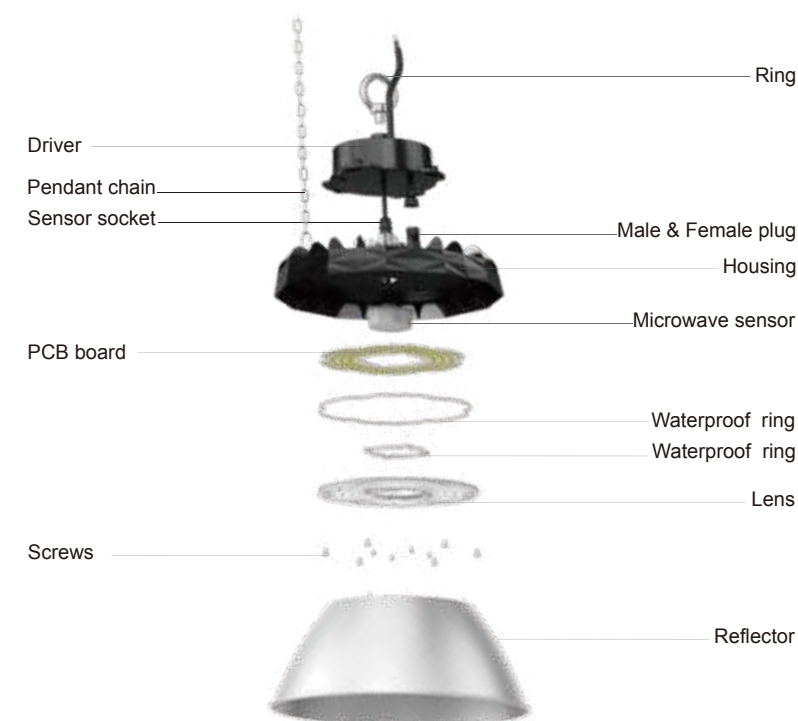
配光曲线/发光角度

Light distribution curve/Luminescence Angle



产品细节

Product details

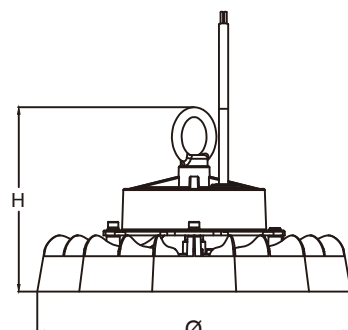


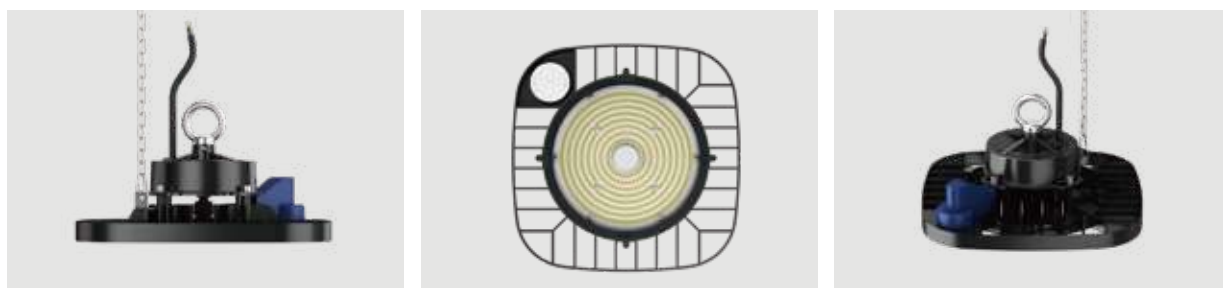
High bay light
工矿灯·FJ-IL-Mercury

- 采用SMD3030芯片,提供了极佳的流明输出持久的稳定性和出色的视觉效果;
- 采用高端LED驱动,使用寿命长;
- 独特的散热设计,稳定的产品性能;
- 优异的散热功能,使LED始终在凉爽的环境下工作,显著提高寿命和功效;
- 0-10V, DALI, 时控调光适合不同项目需求;
- 附加微波感应,光补偿功能供选择。

- Adopts SMD3030 chip, which provides excellent lumen output, long-lasting stability and outstanding visual effect.
- High-end LED driver, long service life.
- Unique heat dissipation design, stable product performance.
- Excellent heat dissipation function, so that the LED always work in a cool environment, significantly improve the life and efficacy.
- 0-10V, DALI, time-controlled dimming suitable for different project requirements
- Additional microwave sensing, light compensation function for choice.

产品尺寸 Fixture Information	
型号 Item No.	dxH(mm)
S	
M	
L	



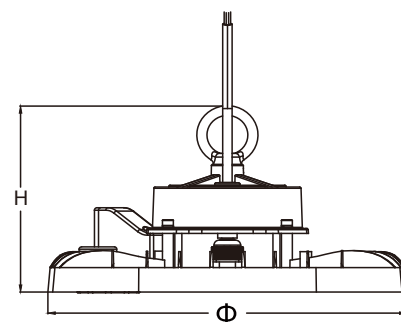


High bay light 工矿灯·FJ-IL-Venus

- 采用SMD3030芯片,提供了极佳的流明输出持久的稳定性和出色的视觉效果;
- 采用高端LED驱动,使用寿命长;
- 独特的散热设计,稳定的产品性能;
- 优异的散热功能,使LED始终在凉爽的环境下工作,显著提高寿命和功效;
- 0-10V, DALI, 时控调光适合不同项目需求;
- 附加微波感应,光补偿功能供选择。

- Adopts SMD3030 chip, which provides excellent lumen output, long-lasting stability and outstanding visual effect.
- High-end LED driver, long service life.
- Unique heat dissipation design, stable product performance.
- Excellent heat dissipation function, so that the LED always work in a cool environment, significantly improve the life and efficacy.
- 0-10V, DALI, time-controlled dimming suitable for different project requirements
- Additional microwave sensing, light compensation function for choice.

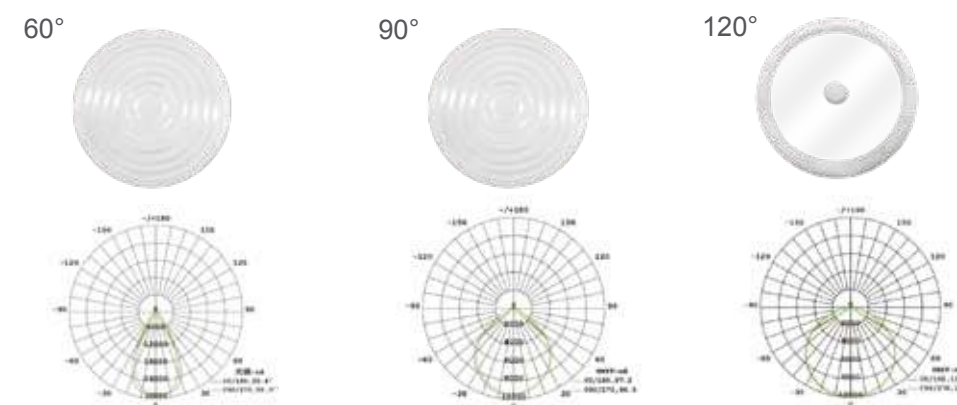
产品尺寸 Fixture Information	
型号 Item No.	dxH(mm)
S	Φ325xH160
M	Φ325xH160
L	Φ365xH165



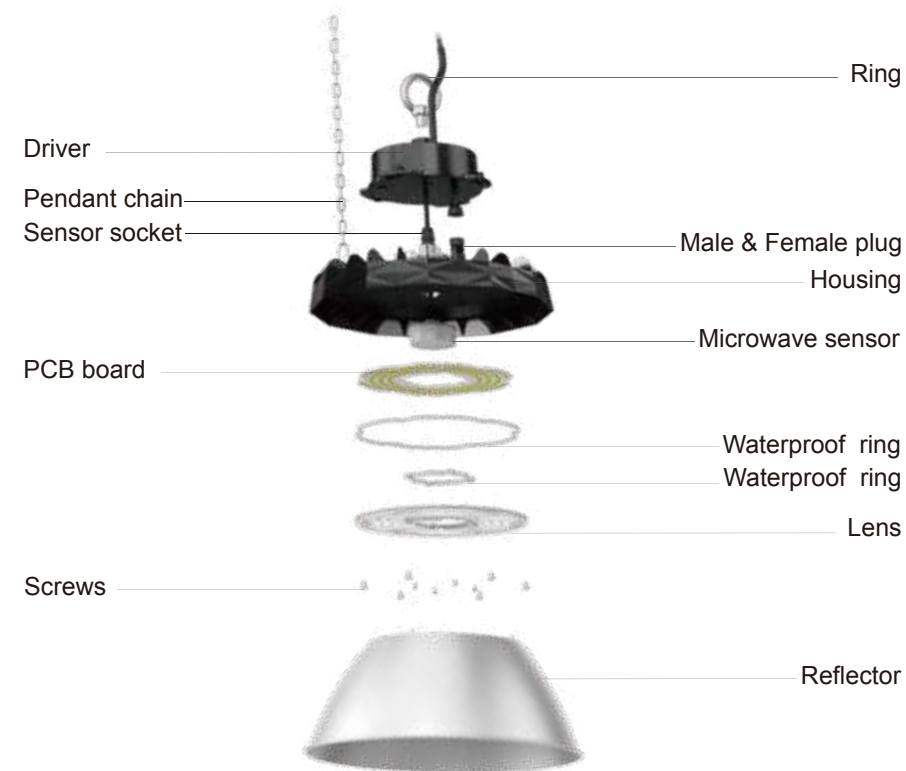
产品技术参数 Product technical parameters

产品型号 ITEM NO.	FJ-IL-Venus-100W	FJ-IL-Venus-150W	FJ-IL-Venus-200W	FJ-IL-Venus-240W
功率 POWER	100W	150W	200W	240W
光效 LUMEN EFFICIENCY	130m/w、150m/w、210m/w	130m/w、150m/w、210m/w	130m/w、150m/w、210m/w	130m/w、150m/w、210m/w
色温 CCT	3000-6000K	3000-6000K	3000-6000K	3000-6000K
显指 CRI	>80	>80	>80	>80
输入电压 INPUT VOLTAGE	AC100-265V	AC100-265V	AC100-265V	AC100-265V
防护等级 IP	IP65	IP65	IP65	IP65
发光角度 BEAM ANGLE	60°/90°	60°/90°	60°/90°	60°/90°
功率因素 PF	>0.95	>0.95	>0.95	>0.95
产品尺寸(mm) DIMENSIONS	Φ325xH160	Φ325xH160	Φ365xH165	Φ365xH165

配光曲线/发光角度 Light distribution curve/Luminescence Angle



产品细节 Product details





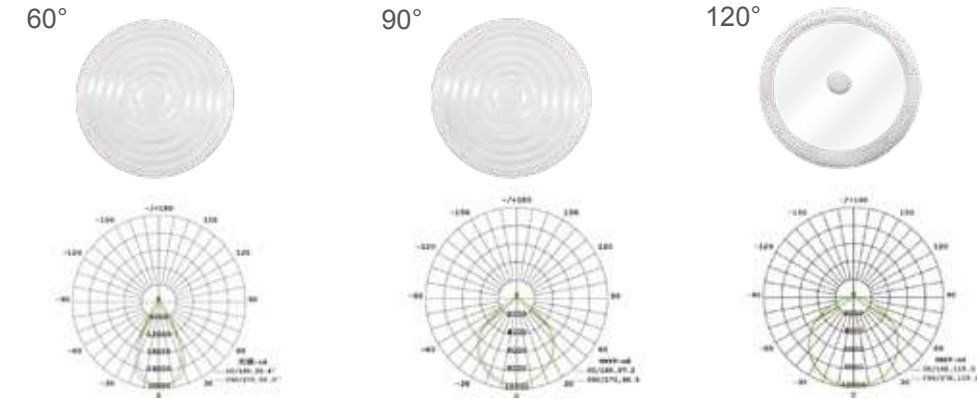
产品技术参数

Product technical parameters

产品型号 ITEM NO.	FJ-IL-G15-100W	FJ-IL-G15-150W	FJ-IL-G15-200W/240W
功率 POWER	100W	150W	200W/240W
光效 LUMEN EFFICIENCY	130~180lm/w	130~180lm/w	130~180lm/w
色温 CCT	3000-6000K	3000-6000K	3000-6000K
显指 CRI	>80	>80	>80
输入电压 INPUT VOLTAGE	AC100-265V	AC100-265V	AC100-265V
防护等级 IP	IP65	IP65	IP65
发光角度 BEAM ANGLE	60°/90°	60°/90°	60°/90°
功率因素 PF	>0.95	>0.95	>0.95
产品尺寸(mm) DIMENSIONS	Φ249xH149	Φ300xH149	Φ345xH149

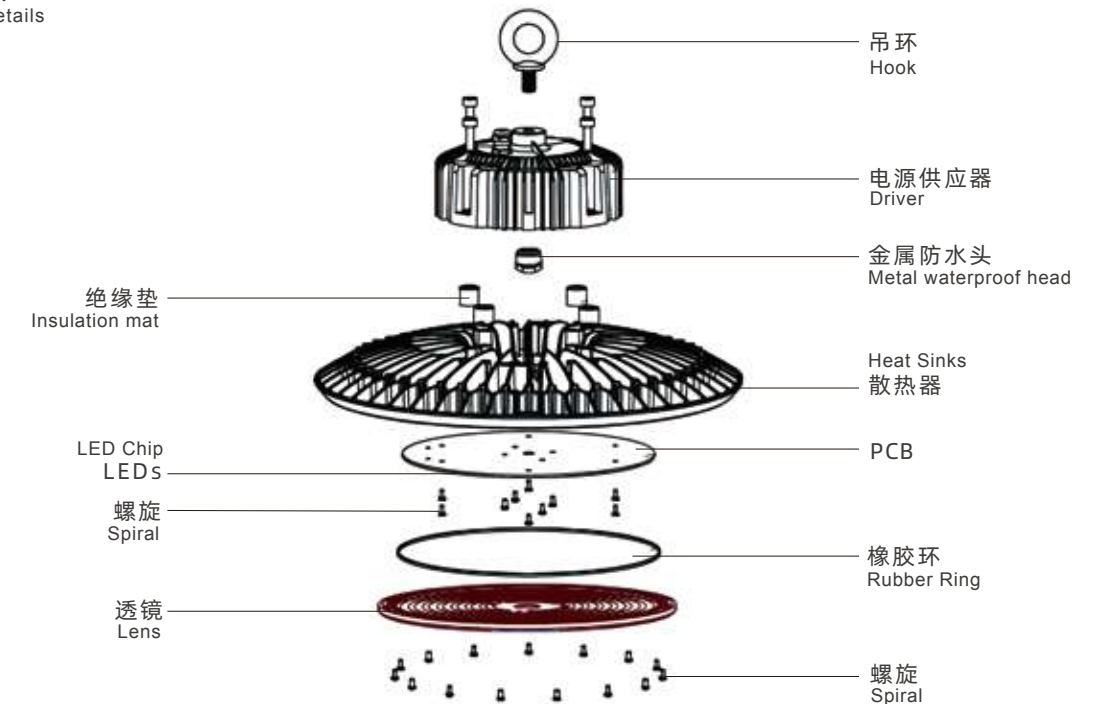
配光曲线/发光角度

Light distribution curve/Luminescence Angle



产品细节

Product details

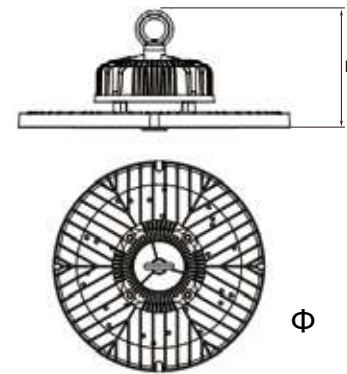


High bay light
工矿灯·FJ-IL-G15

- 采用SMD3030芯片,提供了极佳的流明输出持久的稳定性和出色的视觉效果;
- 采用高端LED驱动,使用寿命长;
- 独特的散热设计,稳定的产品性能;
- 优异的散热功能,使LED始终在凉爽的环境下工作,显著提高寿命和功效;
- 0-10V, DALI, 时控调光适合不同项目需求;
- 附加微波感应,光补偿功能供选择。

- Adopts SMD3030 chip, which provides excellent lumen output, long-lasting stability and outstanding visual effect.
- High-end LED driver, long service life.
- Unique heat dissipation design, stable product performance.
- Excellent heat dissipation function, so that the LED always work in a cool environment, significantly improve the life and efficacy.
- 0-10V, DALI, time-controlled dimming suitable for different project requirements
- Additional microwave sensing, light compensation function for choice.

产品尺寸 Fixture Information	
型号 Item No.	dxH(mm)
S	Φ249×H149
M	Φ300×H149
L	Φ345×H149





产品技术参数

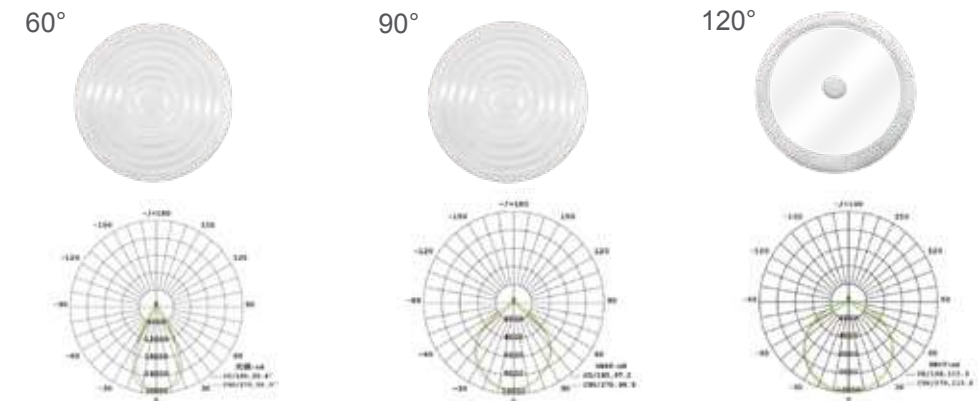
Product technical parameters

产品型号 ITEM NO.	FJ-IL-G02-100W	FJ-IL-G02-150W	FJ-IL-G02-200W
功率 POWER	100W	150W	200W/240W
光效 LUMEN EFFICIENCY	130~180lm/w	130~180lm/w	130~180lm/w
色温 CCT	3000-6000K	3000-6000K	3000-6000K
显指 CRI	>80	>80	>80
输入电压 INPUT VOLTAGE	AC100-265V	AC100-265V	AC100-265V
防护等级 IP	IP65	IP65	IP65
发光角度 BEAM ANGLE	60°/90°/120°	60°/90°/120°	60°/90°/120°
功率因素 PF	>0.95	>0.95	>0.95
产品尺寸(mm) DIMENSIONS	Φ270×H114	Φ316×H109.3	Φ340×H130



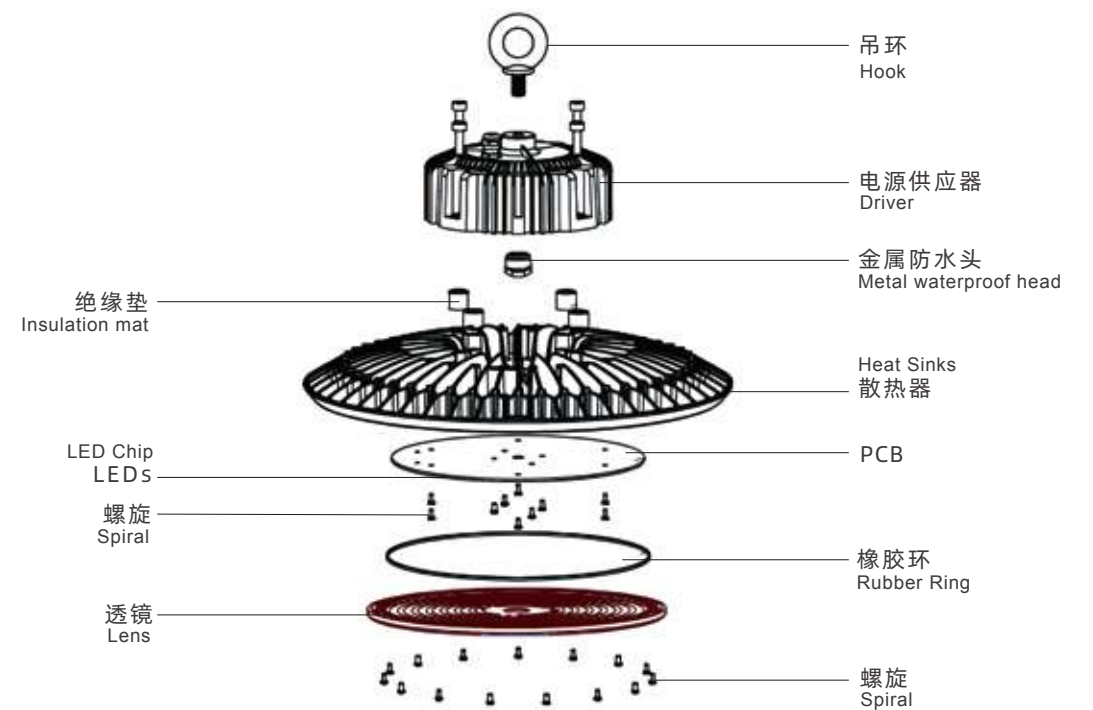
配光曲线/发光角度

Light distribution curve/luminescence Angle



产品细节

Product details

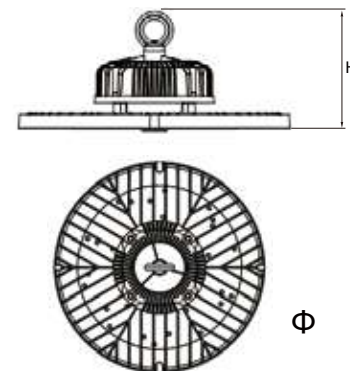


High bay light
工矿灯·FJ-IL-G02

- 采用SMD3030芯片,提供了极佳的流明输出持久的稳定性和出色的视觉效果。
- 采用高端LED驱动,使用寿命长。
- 独特的散热设计,稳定的产品性能。
- 优异的散热功能,使LED始终在凉爽的环境下工作,显著提高寿命和功效。
- 0-10V, DALI, 时控调光适合不同项目需求
- 附加微波感应,光补偿功能供选择。

- Adopts SMD3030 chip, which provides excellent lumen output, long-lasting stability and outstanding visual effect.
- High-end LED driver, long service life;
- Unique heat dissipation design, stable product performance.
- Excellent heat dissipation function, so that the LED always work in a cool environment, significantly improve the life and efficacy.
- 0-10V, DALI, time-controlled dimming suitable for different project requirements
- Additional microwave sensing, light compensation function for choice.

产品尺寸 Fixture Information	
型号 Item No.	dxH(mm)
S	Φ249×H149
M	Φ300×H149
L	Φ345×H149





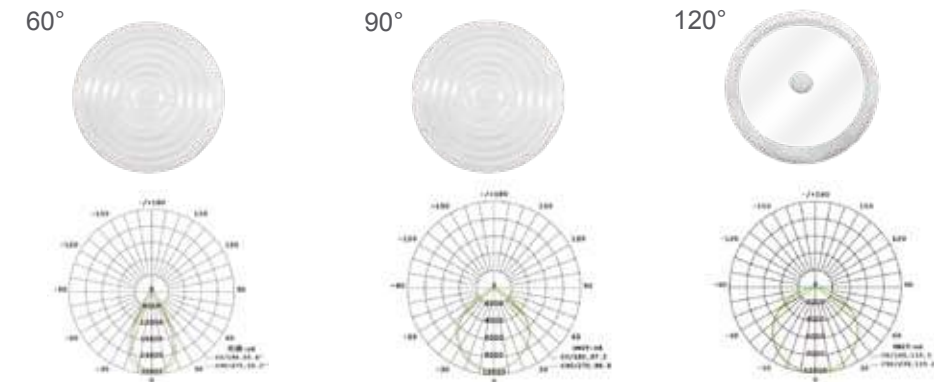
产品技术参数

Product technical parameters

产品型号 ITEM NO.	FJ-IL-G02-100W	FJ-IL-G02-150W	FJ-IL-G02-200W
功率 POWER	100W	150W	200W/240W
光效 LUMEN EFFICIENCY	130~180lm/w	130~180lm/w	130~180lm/w
色温 CCT	3000-6000K	3000-6000K	3000-6000K
显指 CRI	>80	>80	>80
输入电压 INPUT VOLTAGE	AC100-265V	AC100-265V	AC100-265V
防护等级 IP	IP65	IP65	IP65
发光角度 BEAM ANGLE	60°/90°/120°	60°/90°/120°	60°/90°/120°
功率因素 PF	>0.95	>0.95	>0.95
产品尺寸(mm) DIMENSIONS	Φ270×H114	Φ316×H109.3	Φ340×H130

配光曲线/发光角度

Light distribution curve/luminescence Angle

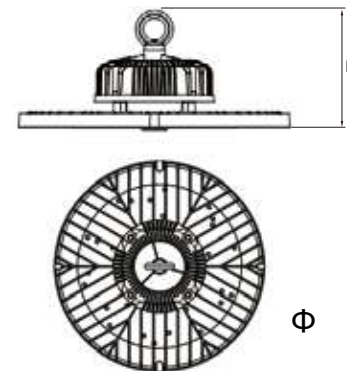


High bay light
工矿灯·FJ-IL-G17

- 采用SMD3030芯片,提供了极佳的流明输出持久的稳定性和出色的视觉效果;
- 采用高端LED驱动,使用寿命长独特的散热设计,稳定的产品性能;
- 优异的散热功能,使LED始终在凉爽的环境下工作,显著提高寿命和功效;
- 0-10V, DAL, 时控调光适合不同项目需求;
- 附加微波感应,光补偿功能供选择。

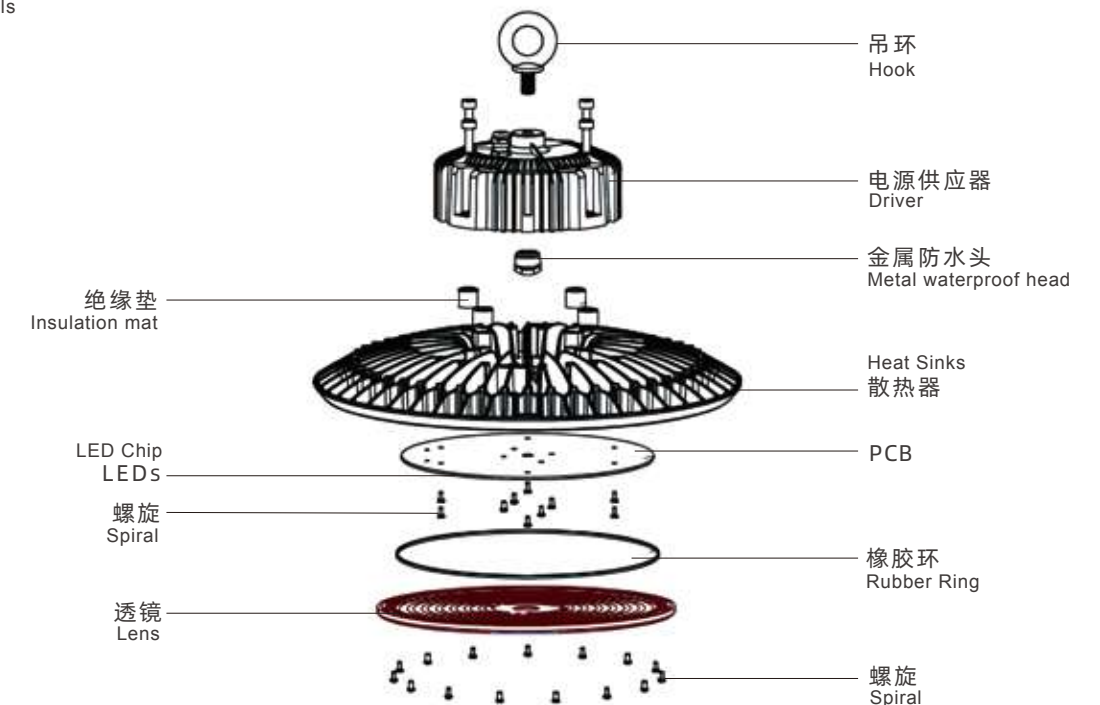
- Adopts SMD3030 chip, provides excellent lumen output and long-lasting stability and outstanding visual effect;
- Adopt high-end LED driver, long service life Unique heat dissipation design, stable product performance.
- Excellent heat dissipation function, so that the LED is always working in a cool environment, significantly improve the life and efficacy.
- 0-10V, DAL, time-controlled dimming suitable for different project needs.
- Additional microwave sensing, light compensation function for choice.

产品尺寸 Fixture Information	
型号 Item No.	dxH(mm)
S	Φ249×H149
M	Φ300×H149
L	Φ345×H149



产品细节

Product details





High bay light 工矿灯·FJ-IL-G06

- FJ-IL-G06使用SMD3030芯片，提供了极佳的流明输出，持久的稳定性和出色的视觉效果
- 高端LED驱动，这款UFO系列LED工矿灯使用寿命长，保修期5年。
- 独特的散热设计，稳定的产品性能。
- 优异的散热功能，使led始终在凉爽的环境下工作，显著提高寿命和功效。
- 0-10V，DALI，时控调光适合不同项目需求。
- 附加微波感应，光补偿功能供选择。

- FJ-IL-G06 uses SMD3030 chips to provide excellent lumen output, long-lasting stability and outstanding visual effects
- High-end LED driver, this UFO series LED industrial light has a long service life and 5 years warranty.
- Unique heat dissipation design, stable product performance.
- Excellent heat dissipation function, so that the led always work in a cool environment, significantly improve the life and efficacy.
- 0-10V, DALI, time-controlled dimming suitable for different project needs.
- Additional microwave sensing, light compensation function for choice.



产品技术参数

Product technical parameters

产品型号 ITEM NO.	FJ-IL-G06-100W	FJ-IL-G06-120W	FJ-IL-G06-150W	FJ-IL-G06-200W	FJ-IL-G06-240W
功率 POWER	100W	120W	150W	200W	240W
光效 LUMEN EFFICIENCY	140lm/w	140lm/w	140lm/w	140lm/w	140lm/w
色温 CCT	3000-6000K	3000-6000K	3000-6000K	3000-6000K	3000-6000K
显指 CRI	>80	>80	>80	>80	>80
输入电压 INPUT VOLTAGE	AC100-265V	AC100-265V	AC100-265V	AC100-265V	AC100-265V
防护等级 IP	IP65	IP65	IP65	IP65	IP65
发光角度 BEAM ANGLE	90°	90°	90°	90°	90°
功率因素 PF	>0.95	>0.95	>0.95	>0.95	>0.95
产品尺寸(mm) DIMENSIONS	Φ380*H153	Φ380*H153	Φ420*H153	Φ455*H158	Φ455*H158



High bay light 工矿灯·FJ-IL-G01

- 专业的模组化散热体，空气对流设计，优化风道，全方位立体散热；
- 采用热管铆接技术，结合 HDT 工艺和压铸工艺，快速导热；
- 不含铅、汞等污染元素；
- 启动迅速；
- 寿命长；
- 比传统灯具省电 80%。

- Professional modular heat sink, air convection design, optimized air ducts, all-round three-dimensional heat dissipation.
- Adopt heat pipe riveting technology, combined with HDT technology and die-casting technology, fast heat conduction.
- No lead, mercury and other pollutants.
- Fast startup.
- Long life time.
- 80% less power consumption than traditional lamps.

产品尺寸 Fixture Information	
型号 Item No.	dxH(mm)
FJ-IL-G01-60W-80W	Φ435*H382
FJ-IL-G01-100W-120W	Φ435*H414
FJ-IL-G01-150W	Φ435*H454
FJ-IL-G01-200W	Φ435*H489
FJ-IL-G01-240W-300W	Φ435*H510



产品技术参数

Product technical parameters

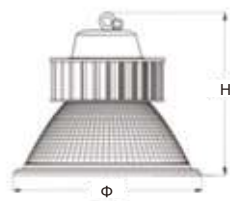
产品型号 ITEM NO.	FJ-IL-G01-60W	FJ-IL-G01-80W	FJ-IL-G01-100W	FJ-IL-G01-120W	FJ-IL-G01-150W	FJ-IL-G01-200W	FJ-IL-G01-240W	FJ-IL-G01-300W
功率 POWER	60W	80W	100W	120W	150W	200W	240W	300W
光效 LUMEN EFFICIENCY	130~180lm/w	130~180lm/w	130~180lm/w	130~180lm/w	130~180lm/w	130~180lm/w	130~180lm/w	130~180lm/w
色温 CCT	3000-6000K	3000-6000K	3000-6000K	3000-6000K	3000-6000K	3000-6000K	3000-6000K	3000-6000K
显指 CRI	>80	>80	>80	>80	>80	>80	>80	>80
输入电压 INPUT VOLTAGE	AC100-265V	AC100-265V	AC100-265V	AC100-265V	AC100-265V	AC100-265V	AC100-265V	AC100-265V
防护等级 IP	IP65	IP65	IP65	IP65	IP65	IP65	IP65	IP65
发光角度 BEAM ANGLE	45°/60°/90°/120°	45°/60°/90°/120°	45°/60°/90°/120°	45°/60°/90°/120°	45°/60°/90°/120°	45°/60°/90°/120°	45°/60°/90°/120°	45°/60°/90°/120°
功率因素 PF	>0.95	>0.95	>0.95	>0.95	>0.95	>0.95	>0.95	>0.95
产品尺寸(mm) DIMENSIONS	Φ435*H382	Φ435*H382	Φ435*H414	Φ435*H414	Φ435*H454	Φ435*H489	Φ435*H510	Φ435*H510



High bay light 工矿灯·FJ-IL-G03

- 专业的模组化散热体，空气对流设计，优化风道，全方位立体散热；
- 采用热管铆接技术，结合 HDT 工艺和压铸工艺，快速导热；
- 不含铅、汞等污染元素；
- 启动迅速；
- 寿命长；
- 比传统灯具省电 80%。
- Professional modular heat sink, air convection design, optimized air ducts, all-round three-dimensional heat dissipation.
- Adopt heat pipe riveting technology, combined with HDT technology and die-casting technology, fast heat conduction.
- No lead, mercury and other pollutants.
- Fast startup
- Long life time.
- 80% less power consumption than traditional lamps.

产品尺寸 Fixture Information	
型号 Item No.	dxH(mm)
FJ-IL-G03-100W	Φ345×H382
FJ-IL-G03-150W	Φ345×H412
FJ-IL-G03-200W~240W	Φ345×H462



产品技术参数

Product technical parameters

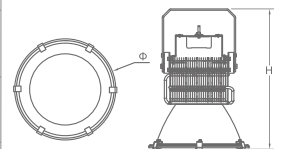
产品型号 ITEM NO.	FJ-IL-G03-100W	FJ-IL-G03-150W	FJ-IL-G03-200W	FJ-IL-G03-240W
功率 POWER	100W	150W	200W	240W
光效 LUMEN EFFICIENCY	130~150lm/w	130~150lm/w	130~150lm/w	130~150lm/w
色温 CCT	3000-6000K	3000-6000K	3000-6000K	3000-6000K
显指 CRI	>80	>80	>80	>80
输入电压 INPUT VOLTAGE	AC100-265V	AC100-265V	AC100-265V	AC100-265V
防护等级 IP	IP65	IP65	IP65	IP65
发光角度 BEAM ANGLE	45°/60°/90°/120°	45°/60°/90°/120°	45°/60°/90°/120°	45°/60°/90°/120°
功率因素 PF	>0.95	>0.95	>0.95	>0.95
产品尺寸(mm) DIMENSIONS	Φ435×H382	Φ435×H414	Φ435×H454	Φ435×H510



High bay light 工矿灯·FJ-IL-G04

- 专业的模组化散热体，空气对流设计，优化风道，全方位立体散热；
- 采用热管铆接技术，结合 HDT 工艺和压铸工艺，快速导热；
- 不含铅、汞等污染元素；
- 启动迅速；
- 寿命长；
- 比传统灯具省电 80%。
- Professional modular heat sink, air convection design, optimized air ducts, all-round three-dimensional heat dissipation.
- Adopt heat pipe riveting technology, combined with HDT technology and die-casting technology, fast heat conduction.
- No lead, mercury and other pollutants.
- Fast startup
- Long life time.
- 80% less power consumption than traditional lamps.

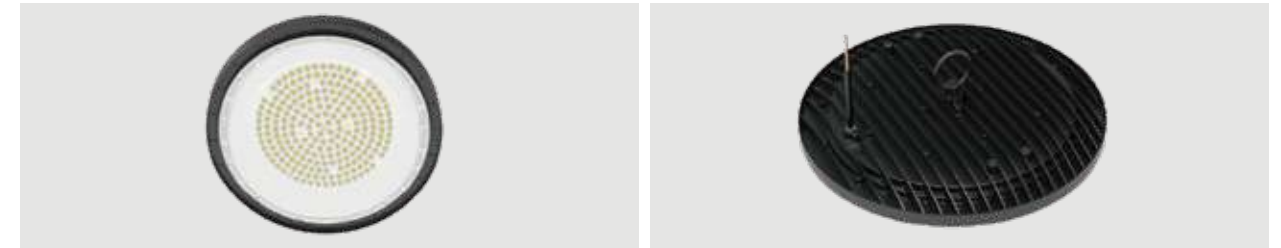
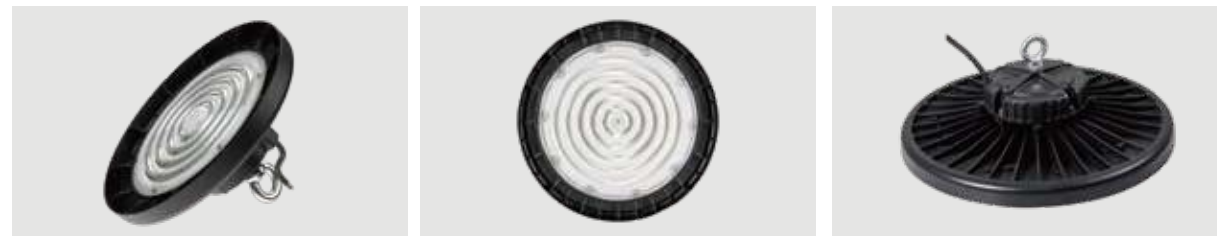
产品尺寸 Fixture Information	
型号 Item No.	dxH(mm)
FJ-IL-G04-100W-200W	Φ367×H467
FJ-IL-G04-300W	Φ367×H459
FJ-IL-G04-400W-500W	Φ367×H497



产品技术参数

Product technical parameters

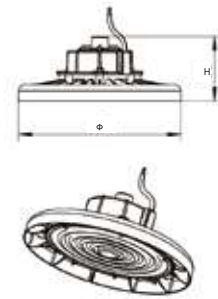
产品型号 ITEM NO.	FJ-IL-G04-100W	FJ-IL-G04-150W	FJ-IL-G04-200W	FJ-IL-G04-300W	FJ-IL-G04-400W	FJ-IL-G04-500W
功率 POWER	100W	150W	200W	300W	400W	500W
光效 LUMEN EFFICIENCY	130~150lm/w	130~150lm/w	130~150lm/w	130~150lm/w	130~150lm/w	130~150lm/w
色温 CCT	3000-6000K	3000-6000K	3000-6000K	3000-6000K	3000-6000K	3000-6000K
显指 CRI	>80	>80	>80	>80	>80	>80
输入电压 INPUT VOLTAGE	AC100-265V	AC100-265V	AC100-265V	AC100-265V	AC100-265V	AC100-265V
防护等级 IP	IP65	IP65	IP65	IP65	IP65	IP65
发光角度 BEAM ANGLE	25°/60°/90°	25°/60°/90°	25°/60°/90°	25°/60°/90°	25°/60°/90°	25°/60°/90°
功率因素 PF	>0.95	>0.95	>0.95	>0.95	>0.95	>0.95
产品尺寸(mm) DIMENSIONS	Φ367×H467	Φ367×H467	Φ367×H467	Φ367×H459	Φ367×H497	Φ367×H497



High bay light 工矿灯·FJ-IL-G16

- FJ-IL-G16使用SMD3030芯片，提供了极佳的流明输出，持久的稳定性和出色的视觉效果；
- 高端LED驱动，这款UFO系列LED工矿灯使用寿命长，保修期5年；
- 独特的散热设计，稳定的产品性能；
- 优异的散热功能，使led始终在凉爽的环境下工作，显著提高寿命和功效；
- 0-10V，DALI，时控调光适合不同项目需求；
- 附加微波感应，光补偿功能供选择。
- The FJ-IL-G16 uses SMD3030 chips to provide excellent lumen output, long-lasting stability and outstanding visual effects;
- High-end LED driver, this UFO series LED industrial light has a long service life and 5 years warranty;
- Unique heat dissipation design, stable product performance;
- Excellent heat dissipation function, so that the led always work in a cool environment, significantly improve the life and efficacy;
- 0-10V, DALI, time control dimming suitable for different project needs;
- Additional microwave sensing, light compensation function for choice.

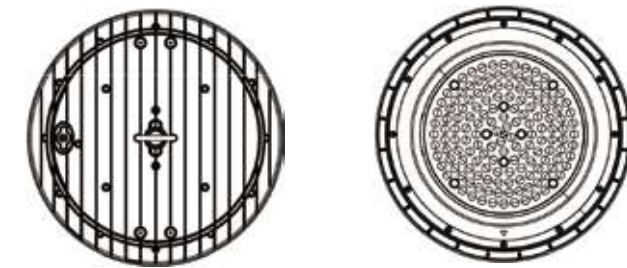
产品尺寸 Fixture Information	
型号 Item No.	dxH(mm)
FJ-IL-G16-100W	Φ245*H84
FJ-IL-G16-150W	Φ280*H87
FJ-IL-G16-200W	Φ330*H92



产品技术参数 Product technical parameters

产品型号 ITEM NO.	FJ-IL-G16-100W	FJ-IL-G16-150W	FJ-IL-G16-200W
功率 POWER	100W	150W	200W
光效 LUMEN EFFICIENCY	110~120lm/w	110~120lm/w	110~120lm/w
色温 CCT	3000-6000K	3000-6000K	3000-6000K
显指 CRI	>80	>80	>80
输入电压 INPUT VOLTAGE	AC100-265V	AC100-265V	AC100-265V
防护等级 IP	IP65	IP65	IP65
发光角度 BEAM ANGLE	60°/90°/120°	60°/90°/120°	60°/90°/120°
功率因素 PF	>0.95	>0.95	>0.95
产品尺寸(mm) DIMENSIONS	Φ245*H84	Φ280*H87	Φ330*H92

High bay light 工矿灯·FJ-IL-G24



外形尺寸：D255MM*H73MM

产品技术参数 Product technical parameters

产品型号 ITEM NO.	FJ-IL-G24-100W	FJ-IL-G24-150W	FJ-IL-G24-200W
功率 POWER	100W	150W	200W
光效 LUMEN EFFICIENCY	90~100lm/w	90~100lm/w	90~100lm/w
色温 CCT	3000-6000K	3000-6000K	3000-6000K
显指 CRI	>80	>80	>80
输入电压 INPUT VOLTAGE	AC100-265V	AC100-265V	AC100-265V
防护等级 IP	IP65	IP65	IP65
发光角度 BEAM ANGLE	60°/90°	60°/90°	60°/90°
功率因素 PF	>0.95	>0.95	>0.95
产品尺寸(mm) DIMENSIONS	Φ245*H84	Φ280*H87	Φ330*H92

SERIES
OF

COURT LIGHT



球场灯
系列篇



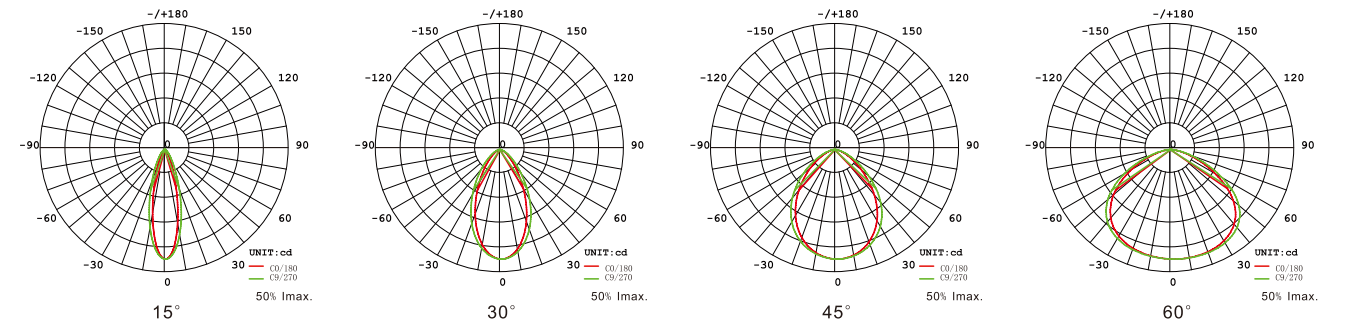
产品技术参数

Product technical parameters

产品型号 ITEM NO.	FJ-FL-G06-500W	FJ-FL-G06-1000W	FJ-FL-G06-1500W	FJ-FL-G06-2000W
功率 POWER	500W	1000W	1500W	2000W
光效 LUMEN EFFICIENCY	130~150lm/w	130~150lm/w	130~150lm/w	130~150lm/w
色温 CCT	3000-6000K	3000-6000K	3000-6000K	3000-6000K
显指 CRI	>80	>80	>80	>80
输入电压 INPUT VOLTAGE	AC100-277V	AC100-277V	AC100-277V	AC100-277V
防护等级 IP	IP66	IP66	IP66	IP66
发光角度 BEAM ANGLE	15°/30°/45°/60°	15°/30°/45°/60°	15°/30°/45°/60°	15°/30°/45°/60°
功率因素 PF	>0.98	>0.98	>0.98	>0.98
产品尺寸(mm) DIMENSIONS	349x540x250	604x540x520	604x540x790	604x540x1060

配光曲线

Light distribution curve

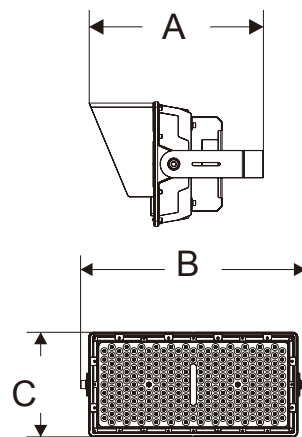


Court light 球场灯·FJ-FL-G06

- G06球场灯代表了节能照明在世界范围内工业应用的未来，它比传统的光源节能50%以上；
- 维护成本低，碳排放量低；
- 凭借其尖端的技术和独特的光学设计，其性能远优于传统灯具；
- 专业照明分配5/10/15/30/60度，减少光线眩光；
- 通过铆接热管到鳍片，先进的气流热管理；
- hdt技术、无缝管件及鳍片专利技术；
- IP66防水等级，抗风等级17级。

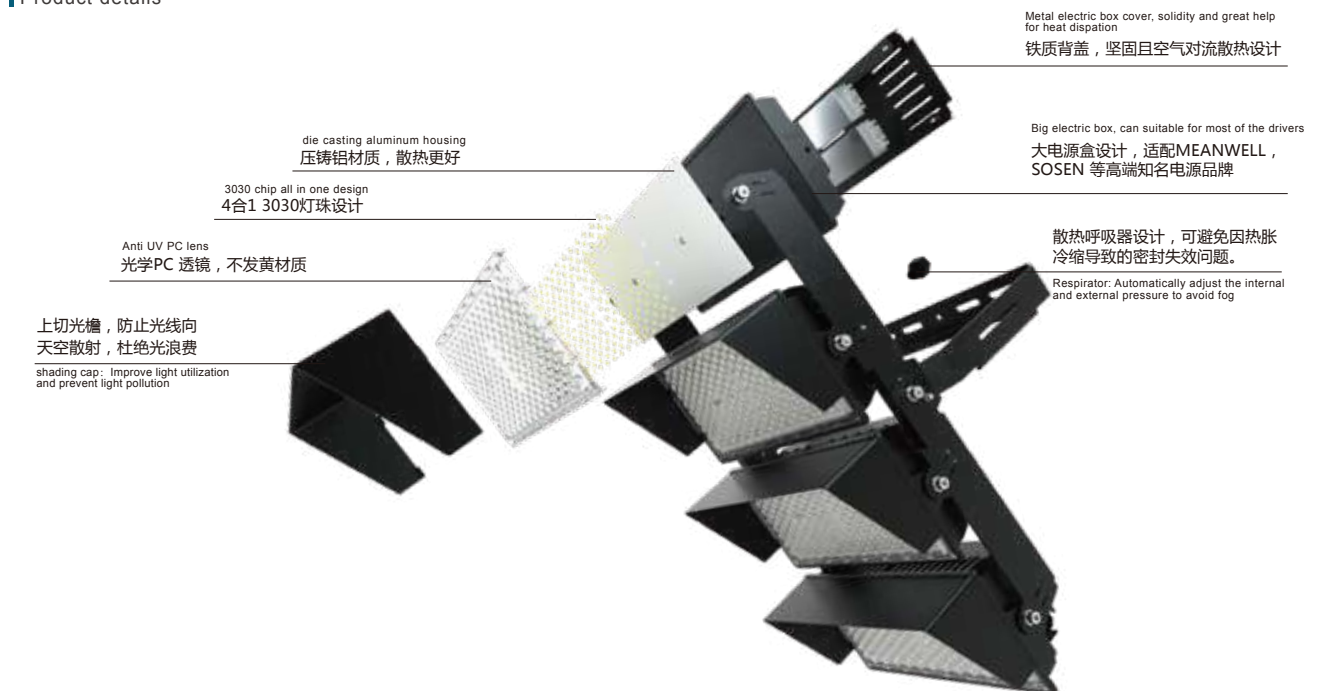
- G06 pitch lights represent the future of energy efficient lighting for industrial applications worldwide, saving more than 50% energy compared to traditional light sources;
- Low maintenance costs and low carbon emissions;
- With its cutting-edge technology and unique optical design, its performance is far superior to traditional lamps;
- Professional lighting distribution of 5/10/15/30/60 degrees to reduce light glare;
- Advanced airflow thermal management by riveting heat pipes to fins;
- hdt technology, seamless tubing and fins patented technology;
- IP66 waterproof rating, wind resistance class 17.

产品尺寸 Fixture Information	
型号 Item No.	AxBxC(mm)
FJ-FL-G06-500W	349x540x250
FJ-FL-G06-1000W	604x540x520
FJ-FL-G06-1500W	604x540x790
FJ-FL-G06-2000W	604x540x1060



产品细节

Product details





Court light 球场灯·FJ-FL-G07

- G07球场灯代表了节能照明在世界范围内工业应用的未来，它比传统的光源节能50%以上；
- 维护成本低，碳排放量低；
- 凭借其尖端的技术和独特的光学设计，其性能远优于传统灯具；
- 专业照明分配5/10/15/30/60度，减少光线眩光；
- 通过铆接热管到鳍片，先进的气流热管理；
- hdt技术、无缝管件及鳍片专利技术；
- IP66防水等级，抗风等级17级。
- G07 pitch lights represent the future of energy efficient lighting for industrial applications worldwide, saving more than 50% energy compared to traditional light sources;
- Low maintenance costs and low carbon emissions;
- With its cutting-edge technology and unique optical design, its performance is far superior to traditional lamps;
- Professional lighting distribution of 5/10/15/30/60 degrees to reduce light glare;
- Advanced airflow thermal management by riveting heat pipes to fins;
- hdt technology, seamless tubing and fins patented technology;
- IP66 waterproof rating, wind resistance class 17.

产品尺寸 Fixture Information	
型号 Item No.	AxBxC(mm)
FJ-FL-G07-300W	369*345*268
FJ-FL-G07-500W	471*407*385
FJ-FL-G07-800W	479*502*472
FJ-FL-G07-1000W	479*502*472



产品技术参数 Product technical parameters

产品型号 ITEM NO.	FJ-FL-G07-300W	FJ-FL-G07-500W	FJ-FL-G07-800W	FJ-FL-G07-1000W
功率 POWER	300W	500W	800W	1000W
光效 LUMEN EFFICIENCY	130lm/w	130lm/w	130lm/w	130lm/w
色温 CCT	3000-6000K	3000-6000K	3000-6000K	3000-6000K
显指 CRI	>70	>70	>70	>70
输入电压 INPUT VOLTAGE	AC85-277V	AC85-277V	AC85-277V	AC85-277V
防护等级 IP	IP65	IP65	IP65	IP65
发光角度 BEAM ANGLE	5°/10°/20°/30°/60°	5°/10°/20°/30°/60°	5°/10°/20°/30°/60°	5°/10°/20°/30°/60°
功率因素 PF	>0.98	>0.98	>0.98	>0.98
产品尺寸(mm) DIMENSIONS	369*345*268	471*407*385	479*502*472	479*502*472

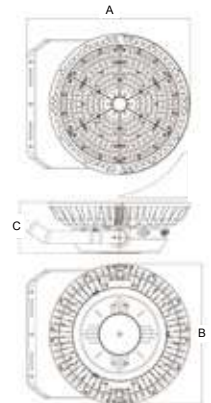


Court light 球场灯·FJ-FL-G09

- 散热器与灯壳一体化设计，LED 直接与外壳紧密相接，通过外壳散热翼与空气对流散热；
- 可达50000小时的使用寿命；
- 灯壳采用铝压铸成型，通过合理的结构设计有效的散热和防水、防尘；
- 灯具表面进行了耐紫外线抗腐蚀喷粉处理，整体灯具达到IP65标准；
- 采用标准ADC12压铸铝，绿色环保无污染，不含铅、汞等污染元素，对环境没有任何污染。

- Heat sink and lamp shell integrated design, LED directly with the shell close to the shell, through the shell cooling wing and air convection heat dissipation;
- Up to 50,000 hours of service life;
- The lamp shell adopts aluminum die-casting molding, through the reasonable structural design of effective heat dissipation and waterproof, dustproof;
- The surface of the lamps and lanterns is treated with UV-resistant and corrosion-resistant powder spraying, and the overall lamps and lanterns reach IP65 standard;
- Adopting standard ADC12 die-casting aluminum, green and pollution-free, does not contain lead, mercury and other polluting elements, no pollution to the environment.

产品尺寸 Fixture Information	
型号 Item No.	AxBxC(mm)
FJ-FL-G09-300W	Φ463×400×219
FJ-FL-G09-500W	Φ463×400×219
FJ-FL-G09-800W	Φ652×565×352
FJ-FL-G09-1000W	Φ730×640×390
FJ-FL-G09-1200W	Φ730×640×390



产品技术参数 Product technical parameters

产品型号 ITEM NO.	FJ-FL-G09-300W	FJ-FL-G09-500W	FJ-FL-G09-800W	FJ-FL-G09-1000W	FJ-FL-G09-1200W
功率 POWER	300W	500W	800W	1000W	1200W
光效 LUMEN EFFICIENCY	130~150lm/w	130~150lm/w	130~150lm/w	130~150lm/w	130~150lm/w
色温 CCT	3000-6000K	3000-6000K	3000-6000K	3000-6000K	3000-6000K
显指 CRI	>80	>80	>80	>80	>80
输入电压 INPUT VOLTAGE	AC100-265V	AC100-265V	AC100-265V	AC100-265V	AC100-265V
防护等级 IP	IP65	IP65	IP65	IP65	IP65
发光角度 BEAM ANGLE	15°/30°	15°/30°	15°/30°	15°/30°	15°/30°
功率因素 PF	>0.98	>0.98	>0.98	>0.98	>0.98
产品尺寸(mm) DIMENSIONS	Φ463×400×219	Φ463×400×219	Φ652×565×352	Φ730×640×390	Φ730×640×390

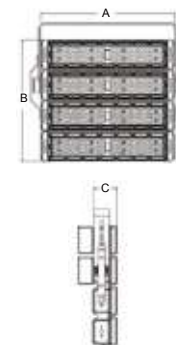


Court light 球场灯·FJ-FL-G04

- 它比传统照明节能50%以上
- 它具有较低的维护成本和较低的CO²排放
- 凭借其先进的技术和独特的光学设计，其性能远远优于传统灯。
- ADC12压铸柔性模块化设计。
- 先进的气流热管理。
- 表面涂层处理，可承受极端天气条件

- It is more than 50% more energy efficient than conventional lighting;
- It has lower maintenance costs and lower CO² emissions;
- With its advanced technology and unique optical design, its performance is far superior to traditional lights;
- Flexible modular design in die-cast aluminum;
- Advanced airflow thermal management;
- Surface coating treatment to withstand extreme weather conditions.

产品尺寸 Fixture Information	
型号 Item No.	AxBxC(mm)
FJ-FL-G05-500W	400*515*180
FJ-FL-G05-600W	765*305*180
FJ-FL-G05-800W	765*410*180
FJ-FL-G05-1000W	765*515*180
FJ-FL-G05-1200W	765*620*180



产品技术参数

Product technical parameters

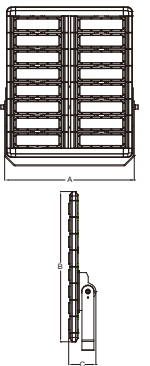
产品型号 ITEM NO.	FJ-FL-G05-500W	FJ-FL-G05-600W	FJ-FL-G05-800W	FJ-FL-G05-1000W	FJ-FL-G05-1200W
功率 POWER	500W	600W	800W	1000W	1200W
光效 LUMEN EFFICIENCY	130-150lm/w	130-150lm/w	130-150lm/w	130-150lm/w	130-150lm/w
色温 CCT	3000-6000K	3000-6000K	3000-6000K	3000-6000K	3000-6000K
显指 CRI	>70	>70	>70	>70	>70
输入电压 INPUT VOLTAGE	AC180-265V	AC180-265V	AC180-265V	AC180-265V	AC180-265V
防护等级 IP	IP65	IP65	IP65	IP65	IP65
发光角度 BEAM ANGLE	60°/90°	60°/90°	60°/90°	60°/90°	60°/90°
功率因素 PF	>0.95	>0.95	>0.95	>0.95	>0.95
产品尺寸(mm) DIMENSIONS	400*515*180	765*305*180	765*410*180	765*515*180	765*620*180

Court light 球场灯·FJ-FL-G08

- 它比传统照明节能50%以上；
- 它具有较低的维护成本和较低的CO²排放；
- 凭借其先进的技术和独特的光学设计，其性能远远优于传统灯；
- 压铸铝灵活模块化设计；
- 先进的气流热管理；
- 表面涂层处理，可承受极端天气条件。

- It is more than 50% more energy efficient than conventional lighting;
- It has lower maintenance costs and lower CO² emissions;
- With its advanced technology and unique optical design, its performance is far superior to traditional lights;
- Flexible modular design in die-cast aluminum;
- Advanced airflow thermal management;
- Surface coating treatment to withstand extreme weather conditions.

产品尺寸 Fixture Information	
型号 Item No.	AxBxC(mm)
FJ-FL-G08-500W	420*650*140
FJ-FL-G08-600W	510*650*140
FJ-FL-G08-800W	750*650*140
FJ-FL-G08-1000W	830*650*140

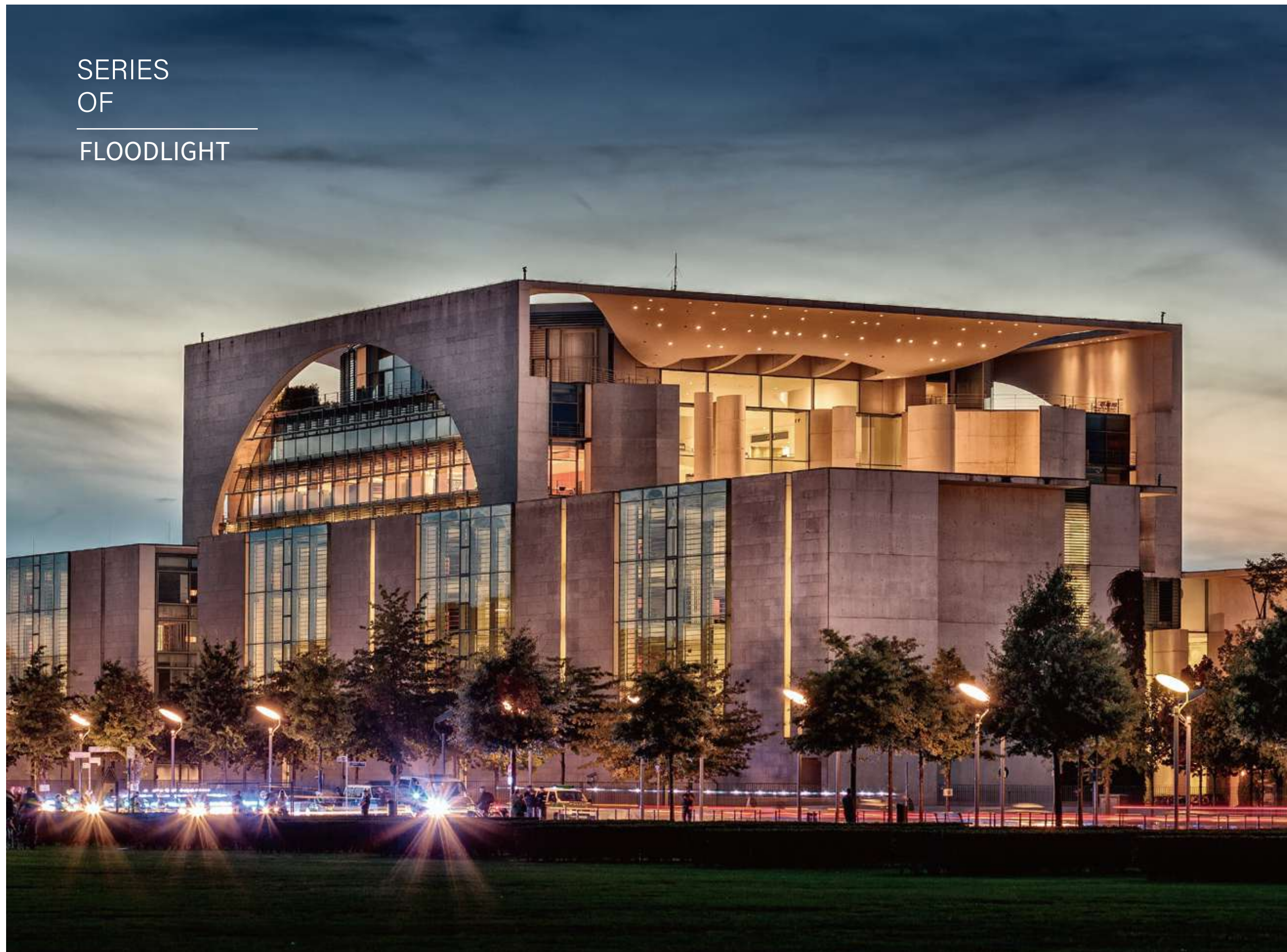


产品技术参数

Product technical parameters

产品型号 ITEM NO.	FJ-FL-G08-500W	FJ-FL-G08-600W	FJ-FL-G08-800W	FJ-FL-G08-1000W
功率 POWER	500W	600W	800W	1000W
光效 LUMEN EFFICIENCY	150lm/w 110lm/w(10°)	150lm/w 110lm/w(10°)	150lm/w 110lm/w(10°)	150lm/w 110lm/w(10°)
色温 CCT	3000-6000K	3000-6000K	3000-6000K	3000-6000K
显指 CRI	>80	>80	>80	>80
输入电压 INPUT VOLTAGE	AC85-277V	AC85-277V	AC85-277V	AC85-277V
防护等级 IP	IP65	IP65	IP65	IP65
发光角度 BEAM ANGLE	10/30/60/90/140x75°	10/30/60/90/140x75°	10/30/60/90/140x75°	10/30/60/90/140x75°
功率因素 PF	>0.98	>0.98	>0.98	>0.98
产品尺寸(mm) DIMENSIONS	420*650*140	510*650*140	750*650*140	830*650*140

SERIES
OF
FLOODLIGHT



泛光灯
系列篇



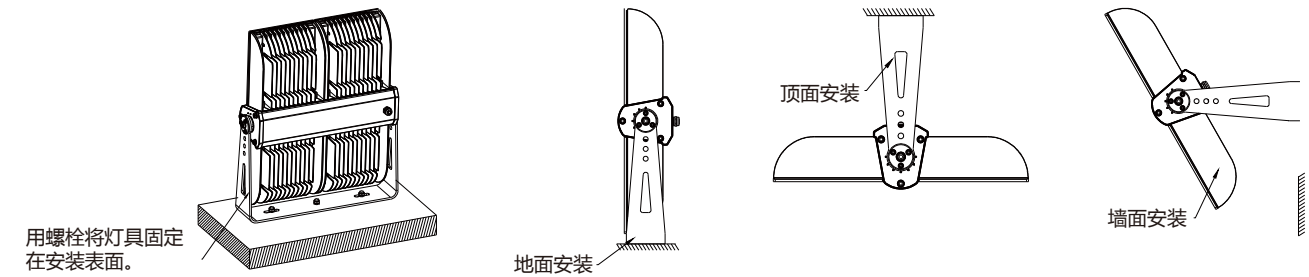
产品技术参数

Product technical parameters

产品型号 ITEM NO.	FJ-FL-YD-100W	FJ-FL-YD-200W	FJ-FL-YD-300W	FJ-FL-YD-400W	FJ-FL-YD-500W	FJ-FL-YD-600W	FJ-FL-YD-700W
功率 POWER	100W	200W	300W	400W	500W	600W	700W
光效 LUMEN EFFICIENCY	130~150lm/w	130~150lm/w	130~150lm/w	130~150lm/w	130~150lm/w	130~150lm/w	130~150lm/w
色温 CCT	3000-6000K	3000-6000K	3000-6000K	3000-6000K	3000-6000K	3000-6000K	3000-6000K
显指 CRI	>80	>80	>80	>80	>80	>80	>80
输入电压 INPUT VOLTAGE	AC100-277V	AC100-277V	AC100-277V	AC100-277V	AC100-277V	AC100-277V	AC100-277V
防护等级 IP	IP66	IP66	IP66	IP66	IP66	IP66	IP66
发光角度 BEAM ANGLE	15°/30°/45°/60°	15°/30°/45°/60°	15°/30°/45°/60°	15°/30°/45°/60°	15°/30°/45°/60°	15°/30°/45°/60°	15°/30°/45°/60°
功率因素 PF	>0.98	>0.98	>0.98	>0.98	>0.98	>0.98	>0.98
产品尺寸(mm) DIMENSIONS	353x258x58	419x318x66	586x400x79	586x400x79	714x533x89	714x533x89	714x533x89

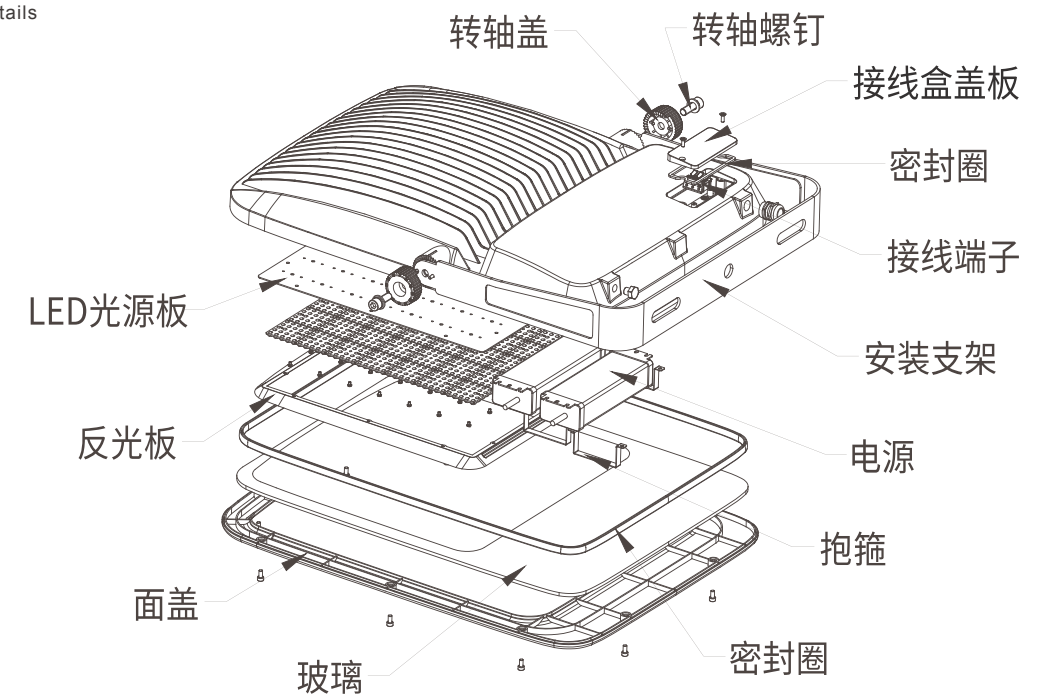
安装说明

Installation instructions



产品细节

Product details

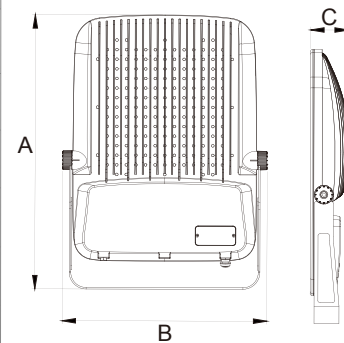


flood light 泛光灯·Selene云端

- 它比传统照明节能50%以上;
- 它具有较低的维护成本和较低的CO²排放;
- 凭借其先进的技术和独特的光学设计, 其性能远远优于传统灯;
- ADC12压铸柔性模块化设计;
- 先进的气流热管理;
- 表面涂层处理, 可承受极端天气条件。

- It is more than 50% more energy efficient than conventional lighting;
- It has lower maintenance costs and lower CO² emissions;
- With its advanced technology and unique optical design, its performance is far superior to traditional lamps;
- ADC12 die-cast flexible modular design;
- Advanced airflow thermal management;
- Surface coating treatment to withstand extreme weather conditions.

产品尺寸 Fixture Information	
型号 Item No.	AxBxC(mm)
FJ-FL-YD-300W	586x440x79
FJ-FL-YD-400W	586x440x89
FJ-FL-YD-500W	714x533x89
FJ-FL-YD-600W	714x533x98
FJ-FL-YD-700W	714x533x98





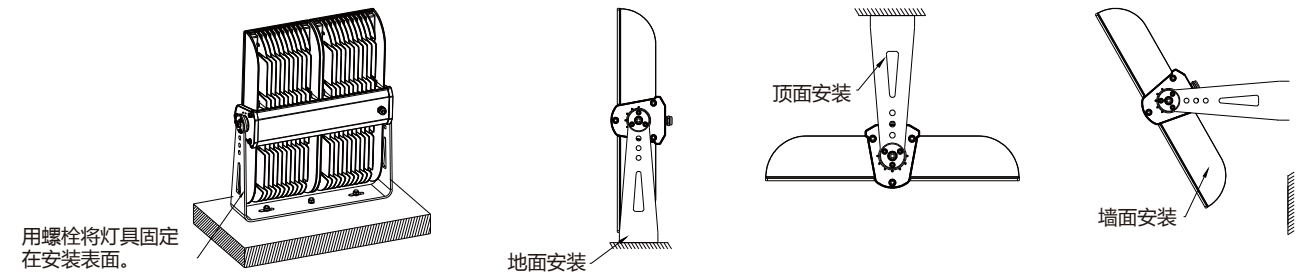
产品技术参数

Product technical parameters

产品型号 ITEM NO.	FJ-FL-G19-50W	FJ-FL-G19-100W	FJ-FL-G19-150W	FJ-FL-G19-200W	FJ-FL-G19-300W
功率 POWER	50W	100W	150W	200W	300W
光效 LUMEN EFFICIENCY	100~110lm/w	100~110lm/w	100~110lm/w	100~110lm/w	100~110lm/w
色温 CCT	3000-6000K	3000-6000K	3000-6000K	3000-6000K	3000-6000K
显指 CRI	>80	>80	>80	>80	>80
输入电压 INPUT VOLTAGE	AC100-277V	AC100-277V	AC100-277V	AC100-277V	AC100-277V
防护等级 IP	IP66	IP66	IP66	IP66	IP66
发光角度 BEAM ANGLE	120°	120°	120°	120°	120°
功率因素 PF	>0.98	>0.98	>0.98	>0.98	>0.98
产品尺寸(mm) DIMENSIONS	206×244×40	258×300×41	286×323×44	325×365×49	368×411×54

安装说明

Installation instructions

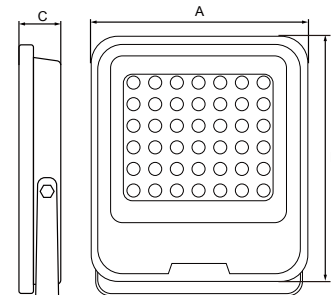


flood light 泛光灯·FJ-FL-G19

- 它比传统照明节能50%以上；
- 它具有较低的维护成本和较低的CO²排放；
- 凭借其先进的技术和独特的光学设计，其性能远远优于传统灯；
- ADC12压铸柔性模块化设计；
- 先进的气流热管理；
- 表面涂层处理，可承受极端天气条件。

- It is more than 50% more energy efficient than conventional lighting;
- It has lower maintenance costs and lower CO² emissions;
- With its advanced technology and unique optical design, its performance is far superior to traditional lamps;
- ADC12 die-cast flexible modular design;
- Advanced airflow thermal management;
- Surface coating treatment to withstand extreme weather conditions.

产品尺寸 Fixture Information	
型号 Item No.	AxBxC(mm)
FJ-FL-G19-50W	206×244×40
FJ-FL-G19-100W	258×300×41
FJ-FL-G19-150W	286×323×44
FJ-FL-G19-200W	325×365×49
FJ-FL-G19-300W	368×411×54



产品细节

Product details

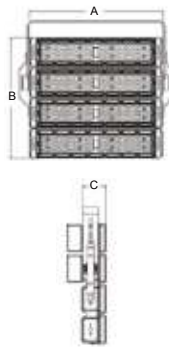




flood light 泛光灯·FJ-FL-G05

- 它比传统照明节能50%以上
- 它具有较低的维护成本和较低的CO²排放
- 凭借其先进的技术和独特的光学设计，其性能远远优于传统灯。
- ADC12压铸柔性模块化设计。
- 可用功率为50W至600W。
- 先进的气流热管理。
- 表面涂层处理，可承受极端天气条件
- It is more than 50% more energy efficient than traditional lighting
- It has lower maintenance costs and lower CO² emissions
- With its advanced technology and unique optical design, it performs far better than conventional lights.
- ADC12 die-cast flexible modular design.
- Available wattages from 50W to 600W.
- Advanced airflow thermal management.
- Surface coated finish to withstand extreme weather conditions

产品尺寸 Fixture Information	
型号 Item No.	AxBxC(mm)
FJ-FL-G05-50W	350×75×75
FJ-FL-G05-100W	350×155×75
FJ-FL-G05-150W	350×240×75
FJ-FL-G05-200W	350×315×75
FJ-FL-G05-250W	350×400×75
FJ-FL-G05-300W	665×240×75
FJ-FL-G05-400W	665×315×75
FJ-FL-G05-500W	665×395×75



产品技术参数

Product technical parameters

产品型号 ITEM NO.	FJ-FL-G05-50W	FJ-FL-G05-100W	FJ-FL-G05-150W	FJ-FL-G05-200W	FJ-FL-G05-250W	FJ-FL-G05-300W	FJ-FL-G05-400W	FJ-FL-G05-500W
功率 POWER	50W	100W	150W	200W	250W	300W	400W	500W
光效 LUMEN EFFICIENCY	130-150lm/w	130-150lm/w	130-150lm/w	130-150lm/w	130-150lm/w	130-150lm/w	130-150lm/w	130-150lm/w
色温 CCT	3000-6000K	3000-6000K	3000-6000K	3000-6000K	3000-6000K	3000-6000K	3000-6000K	3000-6000K
显指 CRI	>70	>70	>70	>70	>70	>70	>70	>70
输入电压 INPUT VOLTAGE	AC85-277V	AC85-277V	AC85-277V	AC85-277V	AC85-277V	AC85-277V	AC85-277V	AC85-277V
防护等级 IP	IP65	IP65	IP65	IP65	IP65	IP65	IP65	IP65
发光角度 BEAM ANGLE	60°/90°	60°/90°	60°/90°	60°/90°	60°/90°	60°/90°	60°/90°	60°/90°
功率因素 PF	>0.98	>0.98	>0.98	>0.98	>0.98	>0.98	>0.98	>0.98
产品尺寸(mm) DIMENSIONS	350×75×75	350×155×75	350×240×75	350×315×75	350×400×75	665×240×75	665×315×75	665×395×75

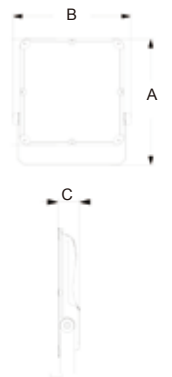


flood light 泛光灯·FJ-FL-G12

- 它比传统照明节能50%以上
- 它具有较低的维护成本和较低的CO²排放
- 凭借其先进的技术和独特的光学设计，其性能远远优于传统灯。
- ADC12压铸柔性模块化设计。
- 可用功率为50W至600W。
- 先进的气流热管理。
- 表面涂层处理，可承受极端天气条件

- It is more than 50% more energy efficient than traditional lighting
- It has lower maintenance costs and lower CO² emissions
- With its advanced technology and unique optical design, it performs far better than conventional lights.
- ADC12 die-cast flexible modular design.
- Available wattages from 50W to 600W.
- Advanced airflow thermal management.
- Surface coated finish to withstand extreme weather conditions

产品尺寸 Fixture Information	
型号 Item No.	AxBxC(mm)
FJ-FL-G12-50W	311.9×216.6×52.3
FJ-FL-G12-100W	368.5×342.6×55
FJ-FL-G12-150W	411.5×387.4×57
FJ-FL-G12-200W	421.5×392.4×57
FJ-FL-G12-300W	483×439×67



产品技术参数

Product technical parameters

产品型号 ITEM NO.	FJ-FL-G12-50W	FJ-FL-G12-100W	FJ-FL-G12-150W	FJ-FL-G12-200W	FJ-FL-G12-300W
功率 POWER	50W	100W	150W	200W	300W
光效 LUMEN EFFICIENCY	105lm/w	105lm/w	105lm/w	105lm/w	105lm/w
色温 CCT	3000-6000K	3000-6000K	3000-6000K	3000-6000K	3000-6000K
显指 CRI	>70	>70	>70	>70	>70
输入电压 INPUT VOLTAGE	AC85-277V	AC85-277V	AC85-277V	AC85-277V	AC85-277V
防护等级 IP	IP65	IP65	IP65	IP65	IP65
发光角度 BEAM ANGLE	60°/90°	60°/90°	60°/90°	60°/90°	60°/90°
功率因素 PF	>0.95	>0.95	>0.95	>0.95	>0.95
产品尺寸(mm) DIMENSIONS	311.9×216.6×52.3	368.5×342.6×55	411.5×387.4×57	421.5×392.4×57	483×439×67



flood light 泛光灯·FJ-FL-G02

- 超薄流线型外观设计时尚经典;
- 全铝整灯散热结构, 专业光学设计, 光效提高50%;
- 采用明纬电源, 功效高, PF > 0.95
- IP65防护, 高效防水等级, 室内外照明工程均可使用;
- 采用飞利浦芯片, 光效可达到110LMW;
- 超长工作寿命, 超过50000小时。
- Ultra-thin streamlined design is fashionable and classic.
- All-aluminum heat dissipation structure, professional optical design, light efficiency increased by 50%.
- Adopt Meanwell power supply, high efficacy, PF > 0.95
- IP65 protection, high efficiency waterproof grade, indoor and outdoor lighting projects can be used.
- Adopting Philips chip, luminous efficacy can reach 110LMW;
- Ultra-long working life, more than 50,000 hours.

产品尺寸 Fixture Information	
型号 Item No.	AxBxC(mm)
FJ-FL-10W-G02	166×107×32
FJ-FL-20W-G02	216.5×152×40
FJ-FL-30W-G02	226.5×167×40
FJ-FL-50W-G02	310.5×220×50
FJ-FL-80W-G02	354.3×245×50
FJ-FL-100W-G02	402.3×295×60
FJ-FL-150W-G02	430.3×330×60
FJ-FL-200W-G02	470.3×360×60



产品技术参数 Product technical parameters

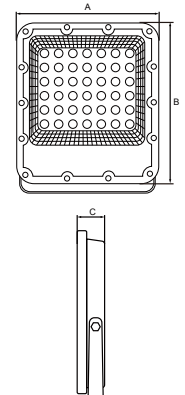
产品型号 ITEM NO.	FJ-FL-10W-G02	FJ-FL-20W-G02	FJ-FL-30W-G02	FJ-FL-50W-G02	FJ-FL-80W-G02	FJ-FL-100W-G02	FJ-FL-150W-G02	FJ-FL-200W-G02
功率 POWER	10W	20W	30W	50W	80W	100W	150W	200W
光效 LUMEN EFFICIENCY	130-150lm/w	130-150lm/w	130-150lm/w	130-150lm/w	130-150lm/w	130-150lm/w	130-150lm/w	130-150lm/w
色温 CCT	3000-6000K	3000-6000K	3000-6000K	3000-6000K	3000-6000K	3000-6000K	3000-6000K	3000-6000K
显指 CRI	>70	>70	>70	>70	>70	>70	>70	>70
输入电压 INPUT VOLTAGE	AC85-277V	AC85-277V	AC85-277V	AC85-277V	AC85-277V	AC85-277V	AC85-277V	AC85-277V
防护等级 IP	IP65	IP65	IP65	IP65	IP65	IP65	IP65	IP65
发光角度 BEAM ANGLE	60°/90°/120°	60°/90°/120°	60°/90°/120°	60°/90°/120°	60°/90°/120°	60°/90°/120°	60°/90°/120°	60°/90°/120°
功率因素 PF	>0.98	>0.98	>0.98	>0.98	>0.98	>0.98	>0.98	>0.98
产品尺寸(mm) DIMENSIONS	166×107×32	216.5×152×40	226.5×167×40	310.5×220×50	354.3×245×50	402.3×295×60	430.3×330×60	470.3×360×60



flood light 泛光灯·FJ-FL-G16

- 它比传统照明节能50%以上;
- 它具有较低的维护成本和较低的CO2排放;
- 凭借其先进的技术和独特的光学设计, 其性能远远优于传统灯;
- ADC12压铸柔性模块化设计;
- 可用功率为50W至600W;
- 先进的气流热管理;
- 表面涂层处理, 可承受极端天气条件。
- It is more than 50% more energy efficient than conventional lighting;
- It has lower maintenance cost and lower CO2 emission.
- With its advanced technology and unique optical design, its performance is far superior to that of traditional lamps;
- ADC12 die-cast flexible modular design.
- Available power from 50W to 600W.
- Advanced airflow thermal management.
- Surface coated finish to withstand extreme weather conditions.

产品尺寸 Fixture Information	
型号 Item No.	AxBxC(mm)
FJ-FL-G16-30W	162×183×38
FJ-FL-G16-50W	225×192×37
FJ-FL-G16-100W	245×280×50
FJ-FL-G16-150W	270×315×53
FJ-FL-G16-200W	300×350×55



产品技术参数 Product technical parameters

产品型号 ITEM NO.	FJ-FL-G16-30W	FJ-FL-G16-50W	FJ-FL-G16-100W	FJ-FL-G16-150W	FJ-FL-G16-200W
功率 POWER	30W	50W	100W	150W	200W
光效 LUMEN EFFICIENCY	120lm/w	120lm/w	120lm/w	120lm/w	120lm/w
色温 CCT	3000-6000K	3000-6000K	3000-6000K	3000-6000K	3000-6000K
显指 CRI	>70	>70	>70	>70	>70
输入电压 INPUT VOLTAGE	AC220-240V	AC220-240V	AC220-240V	AC220-240V	AC220-240V
防护等级 IP	IP65	IP65	IP65	IP65	IP65
发光角度 BEAM ANGLE	60°/90°/120°	60°/90°/120°	60°/90°/120°	60°/90°/120°	60°/90°/120°
功率因素 PF	>0.98	>0.98	>0.98	>0.98	>0.98
产品尺寸(mm) DIMENSIONS	162×183×38	225×192×37	245×280×50	270×315×53	300×350×55

SERIES
OF
Wire strip lamp

线条灯
系列篇



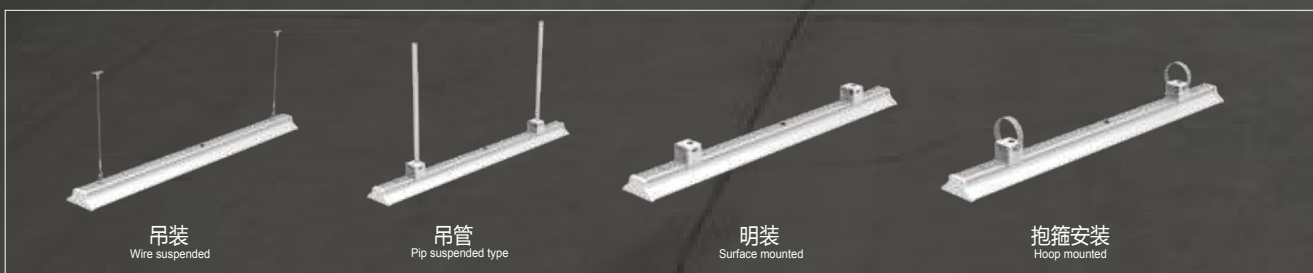
Wire strip lamp
线条灯·Cynthia/酷亮

- 简约的外观设计
- 铝型材外壳设计,
- 散热效果佳IP42
- IK08灯具防护等级
- 无频闪稳定光输出
- 功率因素0.9维护电网稳定
- 可吊装、吊管、明装、抱箍安装适应各种安装条件

- Simple appearance design
- Aluminum profile housing design.
- Excellent heat dissipation IP42
- IK08 luminaire protection class
- Stable light output without flicker
- Power factor 0.9 to maintain grid stability
- Can be suspended, suspended tube, open installation, hoop installation to adapt to a variety of installation conditions



产品尺寸 Feature Information	
型号/Item No.	AxBxC(mm)
FJ-GB-KL06-60W	600×130×56.7
FJ-GB-KL09-75W	900×130×56.7
FJ-GB-KL12-120W	1200×130×56.7
FJ-GB-KL12-150W	1200×130×56.7
FJ-GB-KL15-200W	1500×130×56.7



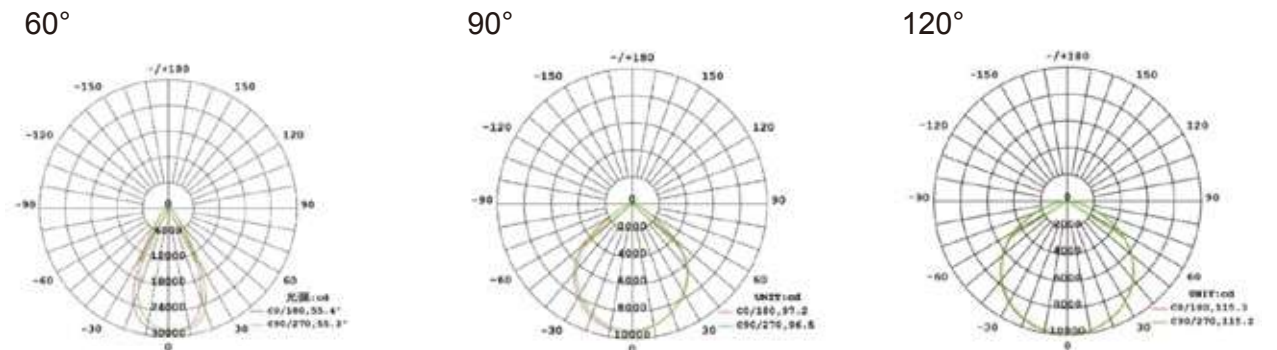
产品技术参数

Product technical parameters

产品型号 ITEM NO.	FJ-GB-KL06-60W	FJ-GB-KL09-75W	FJ-GB-KL12-120W	FJ-GB-KL12-150W	FJ-GB-KL15-200W
功率 POWER	50W	100W	150W	200W	300W
光效 LUMEN EFFICIENCY	100~110lm/w	100~110lm/w	100~110lm/w	100~110lm/w	100~110lm/w
色温 CCT	3000-6000K	3000-6000K	3000-6000K	3000-6000K	3000-6000K
显指 CRI	>80	>80	>80	>80	>80
输入电压 INPUT VOLTAGE	AC100-265V	AC100-265V	AC100-265V	AC100-265V	AC100-265V
防护等级 IP	IP66	IP66	IP66	IP66	IP66
发光角度 BEAM ANGLE	60°/90°/120°	60°/90°/120°	60°/90°/120°	60°/90°/120°	60°/90°/120°
功率因素 PF	>0.98	>0.98	>0.98	>0.98	>0.98
产品尺寸(mm) DIMENSIONS	600×130×56.7	900×130×56.7	1200×130×56.7	1200×130×56.7	1500×130×56.7

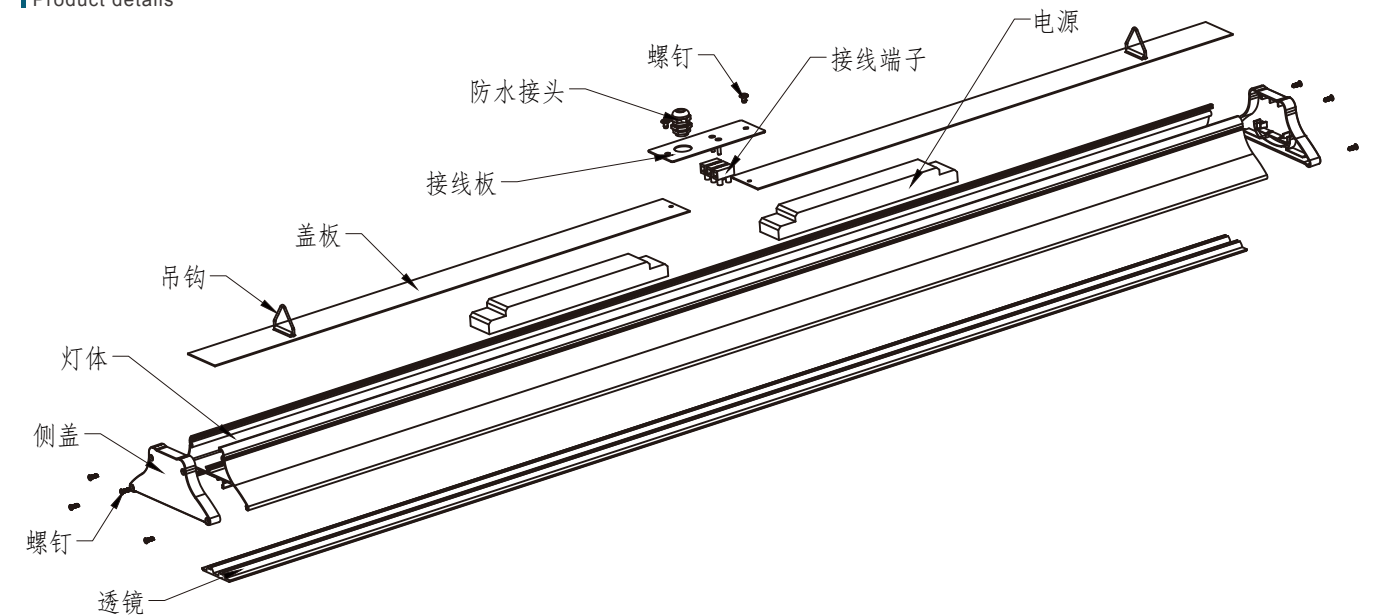
配光曲线

Light distribution curve



产品细节

Product details



SERIES
OF
COURTYARD LAMP

庭院灯
系列篇



garden light 庭院灯·FJ-GLXX-13

- 简约的外观设计。
- 一体化ADC12压铸铝设计，散热效果佳
- IP65、IK10灯具防护等级，满足高温高湿等环境使用。
- 无频闪稳定光输出、功率因素0.9维护电网稳定。
- 可悬挂安装、侧面安装、顶柱安装，满足不同角度照明需要。

- Simple appearance design.
- Integrated ADC12 die-casting aluminum design, good heat dissipation effect
- IP65, IK10 lamps and lanterns protection level, to meet the high temperature and high humidity and other environmental use.
- Stable light output without strobe, power factor 0.9 to maintain grid stability.
Hanging installation, side mounting, top post installation, to meet the needs of different angles of lighting.

可选配件 Optional accessories



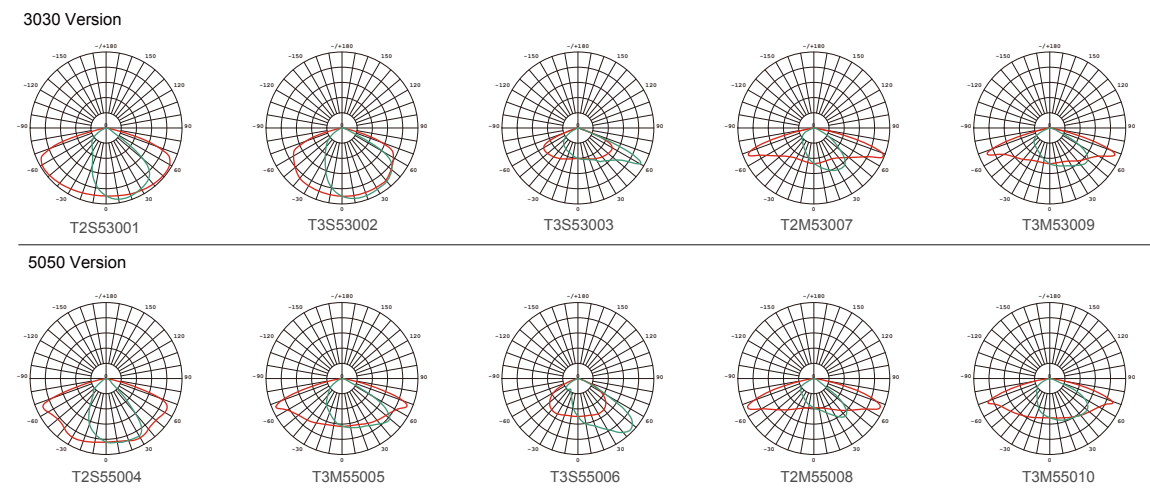
产品技术参数

Product technical parameters

产品型号 ITEM NO.	FJ-GSL08-L	FJ-GSL08-H	FJ-GSL08-S	FJ-GSL08-D
功率 POWER	20W,30W,40W,50W, 60W,80W,100W	20W,30W,40W,50W, 60W,80W,100W	20W,30W,40W,50W, 60W,80W,100W	20W,30W,40W,50W, 60W,80W,100W
光效 LUMEN EFFICIENCY	140m/w	140m/w	140m/w	140m/w
色温 CCT	3000-6000K	3000-6000K	3000-6000K	3000-6000K
显指 CRI	>80	>80	>80	>80
输入电压 INPUT VOLTAGE	AC100-265V	AC100-265V	AC100-265V	AC100-265V
防护等级 IP	IP65	IP65	IP65	IP65
发光角度 BEAM ANGLE	Type II / III	Type II / III	Type II/III	Type II / III
功率因素 PF	>0.95	>0.95	>0.95	>0.95
产品尺寸(mm) DIMENSIONS	Φ500×H450	Φ500×H450	Φ500×H450	Φ500×H450

配光曲线

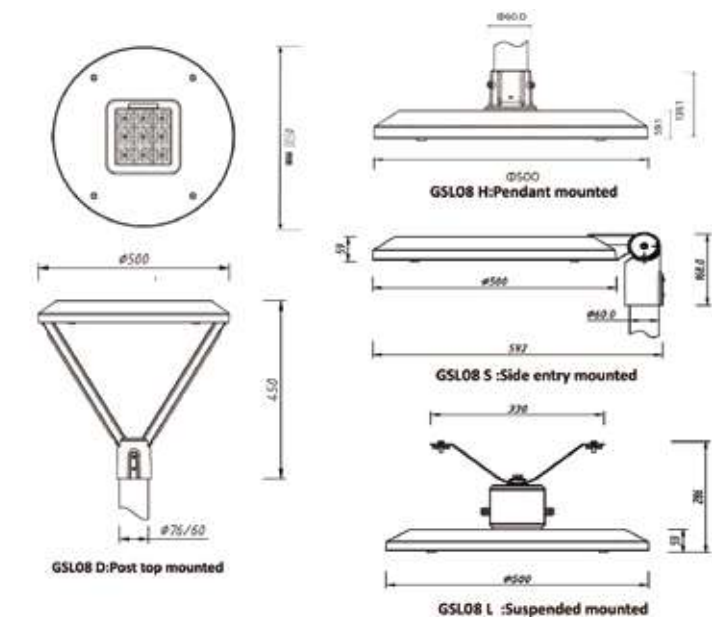
Light distribution curve



产品尺寸

Product size

产品尺寸 Fixture Information	
型号 Item No.	Φ×H(mm)
FJ-GSL08-L	Φ500×H450
FJ-GSL08-H	Φ500×H450
FJ-GSL08-S	Φ500×H450
FJ-GSL08-D	Φ500×H450





garden light
庭院灯·FJ-GLXX-01



产品型号 ITEM NO.	FJ-GL50W-01	FJ-GL80W-01	FJ-GL100W-01	FJ-GL120W-01	FJ-GL150W-01
功率 POWER	50W	80W	100W	120W	150W
光效 LUMEN EFFICIENCY	130m/w	130m/w	130m/w	130m/w	130m/w
色温 CCT	3000-6000K	3000-6000K	3000-6000K	3000-6000K	3000-6000K
显指 CRI	>80	>80	>80	>80	>80
输入电压 INPUT VOLTAGE	AC100-265V	AC100-265V	AC100-265V	AC100-265V	AC100-265V
防护等级 IP	IP65	IP65	IP65	IP65	IP65
发光角度 BEAM ANGLE	130°	130°	130°	130°	130°
功率因素 PF	>0.9	>0.9	>0.9	>0.9	>0.9
产品尺寸(mm) DIMENSIONS	360*360*504	360*360*504	360*360*504	360*360*504	360*360*504



garden light
庭院灯·FJ-GLXX-04



产品型号 ITEM NO.	FJ-GL50W-04	FJ-GL80W-04	FJ-GL100W-04	FJ-GL120W-04	FJ-GL150W-04
功率 POWER	50W	80W	100W	120W	150W
光效 LUMEN EFFICIENCY	130m/w	130m/w	130m/w	130m/w	130m/w
色温 CCT	3000-6000K	3000-6000K	3000-6000K	3000-6000K	3000-6000K
显指 CRI	>80	>80	>80	>80	>80
输入电压 INPUT VOLTAGE	AC100-265V	AC100-265V	AC100-265V	AC100-265V	AC100-265V
防护等级 IP	IP65	IP65	IP65	IP65	IP65
发光角度 BEAM ANGLE	60/90°/Type II	60/90°/Type II	60/90°/Type II	60/90°/Type II	60/90°/Type II
功率因素 PF	>0.9	>0.9	>0.9	>0.9	>0.9
产品尺寸(mm) DIMENSIONS	452*452*542	452*452*542	452*452*542	452*452*542	452*452*542



garden light
庭院灯·FJ-GLXX-03



产品型号 ITEM NO.	FJ-GL30W-03	FJ-GL50W-03
功率 POWER	30W	50W
光效 LUMEN EFFICIENCY	130m/w	130m/w
色温 CCT	3000-6000K	3000-6000K
显指 CRI	>80	>80
输入电压 INPUT VOLTAGE	AC100-265V	AC100-265V
防护等级 IP	IP65	IP65
发光角度 BEAM ANGLE	Type II	Type II
功率因素 PF	>0.9	>0.9
产品尺寸(mm) DIMENSIONS	505*505*545	505*505*545



garden light
庭院灯·FJ-GLXX-05



产品型号 ITEM NO.	FJ-GL30W-05	FJ-GL50W-05
功率 POWER	30W	50W
光效 LUMEN EFFICIENCY	130m/w	130m/w
色温 CCT	3000-6000K	3000-6000K
显指 CRI	>80	>80
输入电压 INPUT VOLTAGE	AC100-265V	AC100-265V
防护等级 IP	IP65	IP65
发光角度 BEAM ANGLE	Type II	Type II
功率因素 PF	>0.9	>0.9
产品尺寸(mm) DIMENSIONS	600*600*410	600*600*410



garden light
庭院灯·FJ-GLXX-06



产品型号 ITEM NO.	FJ-GL30W-06	FJ-GL50W-06
功率 POWER	30W	50W
光效 LUMEN EFFICIENCY	120m/w	120m/w
色温 CCT	3000-6000K	3000-6000K
显指 CRI	>80	>80
输入电压 INPUT VOLTAGE	AC100-265V	AC100-265V
防护等级 IP	IP65	IP65
发光角度 BEAM ANGLE	Type II	Type II
功率因素 PF	>0.9	>0.9
产品尺寸(mm) DIMENSIONS	440*440*445	440*440*445



garden light
庭院灯·FJ-GLXX-09



产品型号 ITEM NO.	FJ-GL30W-09	FJ-GL50W-09	FJ-GL60W-09	FJ-GL80W-09	FJ-GL100W-09
功率 POWER	30W	50W	60W	80W	100W
光效 LUMEN EFFICIENCY	130m/w	130m/w	130m/w	130m/w	130m/w
色温 CCT	3000-6000K	3000-6000K	3000-6000K	3000-6000K	3000-6000K
显指 CRI	>80	>80	>80	>80	>80
输入电压 INPUT VOLTAGE	AC100-265V	AC100-265V	AC100-265V	AC100-265V	AC100-265V
防护等级 IP	IP65	IP65	IP65	IP65	IP65
发光角度 BEAM ANGLE	60/90°/Type II	60/90°/Type II	60/90°/Type II	60/90°/Type II	60/90°/Type II
功率因素 PF	>0.9	>0.9	>0.9	>0.9	>0.9
产品尺寸(mm) DIMENSIONS	655*655*675	655*655*675	655*655*675	655*655*675	655*655*675



garden light
庭院灯·FJ-GLXX-07



产品型号 ITEM NO.	FJ-GL50W-04	FJ-GL80W-04	FJ-GL100W-04	FJ-GL120W-04	FJ-GL150W-04
功率 POWER	50W	80W	100W	120W	150W
光效 LUMEN EFFICIENCY	130m/w	130m/w	130m/w	130m/w	130m/w
色温 CCT	3000-6000K	3000-6000K	3000-6000K	3000-6000K	3000-6000K
显指 CRI	>80	>80	>80	>80	>80
输入电压 INPUT VOLTAGE	AC100-265V	AC100-265V	AC100-265V	AC100-265V	AC100-265V
防护等级 IP	IP65	IP65	IP65	IP65	IP65
发光角度 BEAM ANGLE	Type II	Type II	Type II	Type II	Type II
功率因素 PF	>0.9	>0.9	>0.9	>0.9	>0.9
产品尺寸(mm) DIMENSIONS	485*485*681	485*485*681	485*485*681	485*485*681	485*485*681



garden light
庭院灯·FJ-GLXX-10



产品型号 ITEM NO.	FJ-GL30W-10	FJ-GL50W-10
功率 POWER	30W	50W
光效 LUMEN EFFICIENCY	130m/w	130m/w
色温 CCT	3000-6000K	3000-6000K
显指 CRI	>80	>80
输入电压 INPUT VOLTAGE	AC100-265V	AC100-265V
防护等级 IP	IP65	IP65
发光角度 BEAM ANGLE	Type II	Type II
功率因素 PF	>0.9	>0.9
产品尺寸(mm) DIMENSIONS	500*500*540	500*500*540



garden light
庭院灯·FJ-GLXX-11



产品型号 ITEM NO.	FJ-GL30W-11	FJ-GL50W-11
功率 POWER	30W	50W
光效 LUMEN EFFICIENCY	130m/w	130m/w
色温 CCT	3000-6000K	3000-6000K
显指 CRI	>80	>80
输入电压 INPUT VOLTAGE	AC100-265V	AC100-265V
防护等级 IP	IP65	IP65
发光角度 BEAM ANGLE	Type II	Type II
功率因素 PF	>0.9	>0.9
产品尺寸(mm) DIMENSIONS	500*500*540	500*500*540



garden light
庭院灯·FJ-GLXX-14



产品型号 ITEM NO.	FJ-GL30W-09	FJ-GL50W-09	FJ-GL60W-09	FJ-GL80W-09	FJ-GL100W-09
功率 POWER	30W	50W	60W	80W	100W
光效 LUMEN EFFICIENCY	130m/w	130m/w	130m/w	130m/w	130m/w
色温 CCT	3000-6000K	3000-6000K	3000-6000K	3000-6000K	3000-6000K
显指 CRI	>80	>80	>80	>80	>80
输入电压 INPUT VOLTAGE	AC100-265V	AC100-265V	AC100-265V	AC100-265V	AC100-265V
防护等级 IP	IP65	IP65	IP65	IP65	IP65
发光角度 BEAM ANGLE	60/90°/Type II	60/90°/Type II	60/90°/Type II	60/90°/Type II	60/90°/Type II
功率因素 PF	>0.9	>0.9	>0.9	>0.9	>0.9



garden light
庭院灯·FJ-GLXX-12



产品型号 ITEM NO.	FJ-GL30W-12	FJ-GL50W-12	FJ-GL60W-12	FJ-GL80W-12	FJ-GL100W-12
功率 POWER	30W	50W	60W	80W	100W
光效 LUMEN EFFICIENCY	130m/w	130m/w	130m/w	130m/w	130m/w
色温 CCT	3000-6000K	3000-6000K	3000-6000K	3000-6000K	3000-6000K
显指 CRI	>80	>80	>80	>80	>80
输入电压 INPUT VOLTAGE	AC100-265V	AC100-265V	AC100-265V	AC100-265V	AC100-265V
防护等级 IP	IP65	IP65	IP65	IP65	IP65
发光角度 BEAM ANGLE	Type II	Type II	Type II	Type II	Type II
功率因素 PF	>0.9	>0.9	>0.9	>0.9	>0.9
产品尺寸(mm) DIMENSIONS	400*400*800	400*400*800	400*400*800	400*400*800	400*400*800



garden light
庭院灯·FJ-GLXX-15

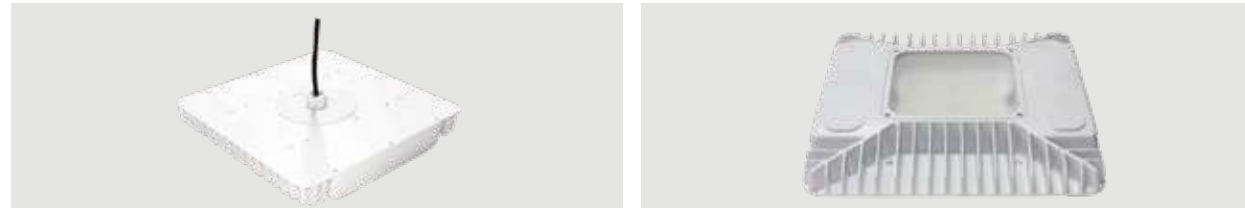


产品型号 ITEM NO.	FJ-GL30W-15	FJ-GL50W-15
功率 POWER	30W	50W
光效 LUMEN EFFICIENCY	130m/w	130m/w
色温 CCT	3000-6000K	3000-6000K
显指 CRI	>80	>80
输入电压 INPUT VOLTAGE	AC100-265V	AC100-265V
防护等级 IP	IP65	IP65
发光角度 BEAM ANGLE	Type II	Type II
功率因素 PF	>0.9	>0.9
产品尺寸(mm) DIMENSIONS	466*445*480	466*445*480

SERIES
OF
CANOPY LIGHT

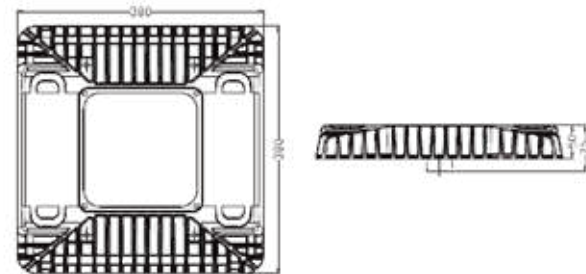


油站灯
系列篇



canopy light
油站灯·FJ-GL-01

- LED:飞利浦3030超亮LED, 灯达120-130lm/w
- Meanwell驱动程序选择高效率 and 功率因数, PF>095
- 寿命长, 5万小时以上工作时间
- IP65等级, 适用于室内外防水工程。
- 超大散热片, 完美的3D散热
- 压铸铝阀体, 防腐螺丝/附件
- 可提供运动传感器、PIR传感器
- 非常坚固的包装允许长途国际运输
- 普通输入电压85-265V交流
- LED:Philips 3030 super bright LED, light up to 120-130lm/w
- Meanwell driver selection for high efficiency and power factor, PF>095
- Long life, more than 50,000 hours working time
- IP65 rating, suitable for indoor and outdoor waterproof project.
- Oversized heat sink, perfect 3D heat dissipation
- Die-cast aluminum valve body, anti-corrosion screws/accessories
- Motion sensor, PIR sensor available
- Very sturdy packaging allows long distance international transportation
- Normal input voltage 85-265V AC



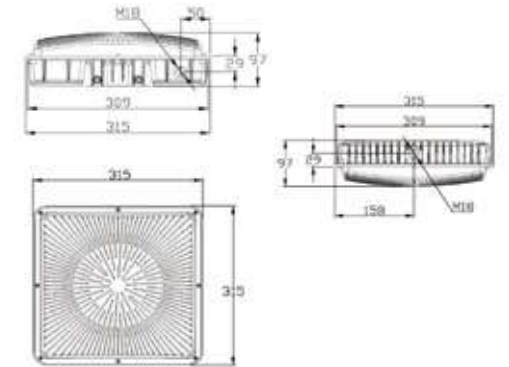
产品技术参数
Product technical parameters

产品型号 ITEM NO.	FJ-GL01-100W	FJ-GL01-120W	FJ-GL01-150W
功率 POWER	100W	120W	150W
光效 LUMEN EFFICIENCY	120lm/w	120lm/w	120lm/w
色温 CCT	3000-6000K	3000-6000K	3000-6000K
显指 CRI	>80	>80	>80
输入电压 INPUT VOLTAGE	AC100-265V	AC100-265V	AC100-265V
防护等级 IP	IP65	IP65	IP65
发光角度 BEAM ANGLE	120°	120°	120°
功率因素 PF	>0.95	>0.95	>0.95
产品尺寸(mm) DIMENSIONS	380*380*70	380*380*70	380*380*70



canopy light
油站灯·FJ-GL-02

- LED:Lumileds3030超高亮度LED, 灯具亮度可达130lm/w
- Meanwell/Inventronics/SosendRiver选择:高效率 and 功率因数, PF>095
- 寿命长, 5万小时以上工作时间;
- IP65等级, 适用于室内外防水工程
- 超大散热片, 完美的3D散热效果。
- 压铸铝阀体, 防腐螺丝/配件
- 可提供运动传感器、PIR传感器
- 非常坚固的包装允许长途国际运输
- 普通输入电压85-265V交流
- LED:Lumileds3030 super bright LED, fixture brightness up to 130lm/w
- Meanwell/Inventronics/SosendRiver option: high efficiency and power factor, PF>095
- Long life time, more than 50,000 hours working time;
- IP65 rating, suitable for indoor and outdoor waterproof project
- Extra large heat sink, perfect 3D heat dissipation.
- Die-casting aluminum valve body, anti-corrosion screws/fittings
- Motion sensor, PIR sensor available
- Very sturdy packaging allows long distance international transportation
- Normal input voltage 85-265V AC



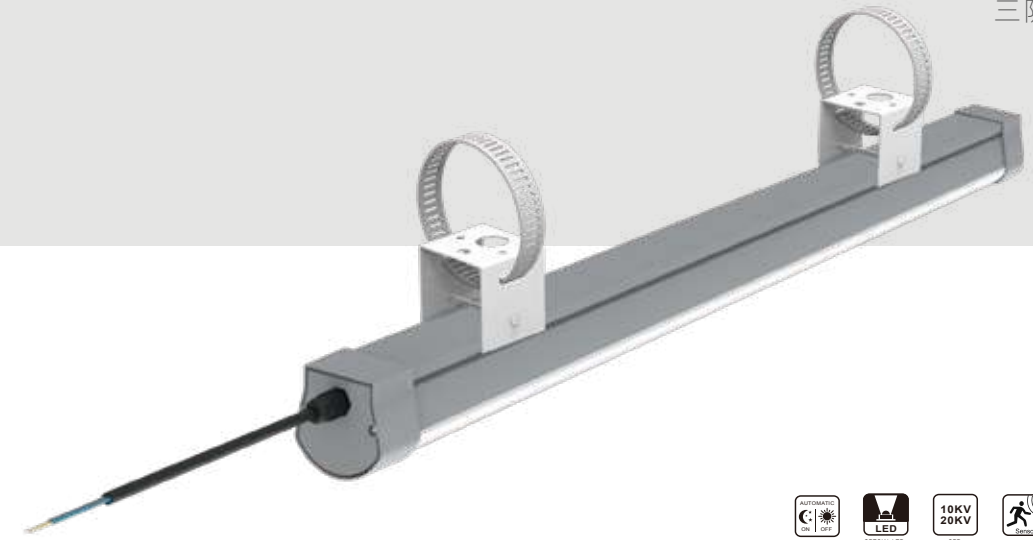
产品技术参数
Product technical parameters

产品型号 ITEM NO.	FJ-GL02-40W	FJ-GL02-60W	FJ-GL02-80W
功率 POWER	40W	60W	80W
光效 LUMEN EFFICIENCY	120lm/w	120lm/w	120lm/w
色温 CCT	3000-6000K	3000-6000K	3000-6000K
显指 CRI	>80	>80	>80
输入电压 INPUT VOLTAGE	AC100-265V	AC100-265V	AC100-265V
防护等级 IP	IP65	IP65	IP65
发光角度 BEAM ANGLE	120°	120°	120°
功率因素 PF	>0.95	>0.95	>0.95
产品尺寸(mm) DIMENSIONS	242.84*242.84*84.9	242.84*242.84*84.9	242.84*242.84*84.9

SERIES
OF
THREE-GUARD LAMP



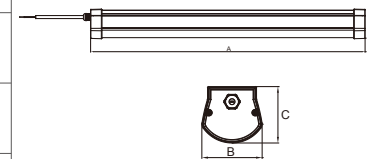
三防灯
系列篇



Three-guard lamp
三防灯· FJ-GL-02

- 简约的外观设计
- 双色塑挤一体成型，更简洁，更安全
- IP65、IK05灯具防护等级
- 无频闪稳定光输出
- 功率因素09维护电网稳定
- 适应各种安装条件
- Simple appearance design
- Two-color plastic extrusion one-piece molding, more simple, more secure
- IP65, IK05 luminaire protection grade
- Stable light output without flicker
- Power factor 09 maintains grid stability
- Adapt to various installation conditions

产品尺寸 Fixture Information	
型号 Item No.	AxBxC(mm)
TL06-18W	600×65×60
TL12-36W	1200×65×60
TL15-45W	1500×65×60



产品技术参数
Product technical parameters

产品型号 ITEM NO.	TL06-18W	TL12-36W	TL15-45W
功率 POWER	18W	36W	45W
光效 LUMEN EFFICIENCY	100lm/w	100lm/w	100lm/w
色温 CCT	3000-6000K	3000-6000K	3000-6000K
显指 CRI	>80	>80	>80
输入电压 INPUT VOLTAGE	AC100-265V	AC100-265V	AC100-265V
防护等级 IP	IP65	IP65	IP65
发光角度 BEAM ANGLE	120°	120°	120°
功率因素 PF	>0.9	>0.9	>0.9
产品尺寸(mm) DIMENSIONS	600×65×60	1200×65×60	1500×65×60